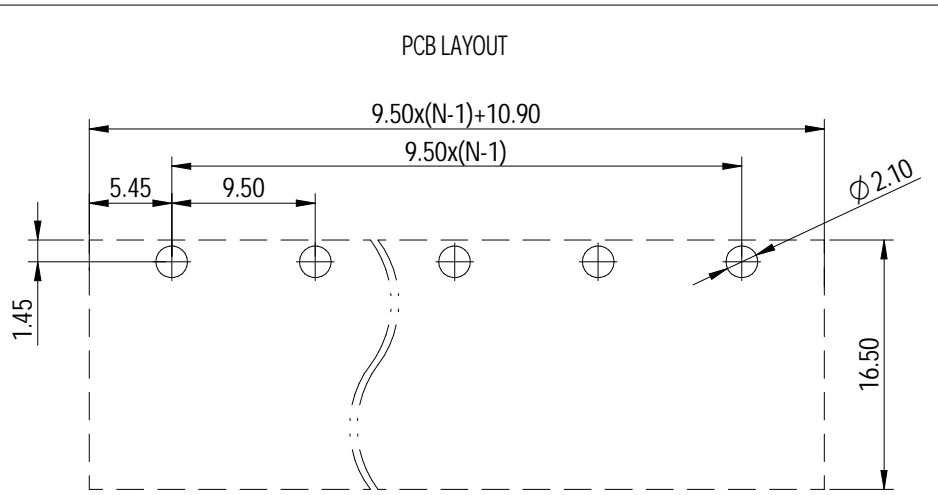
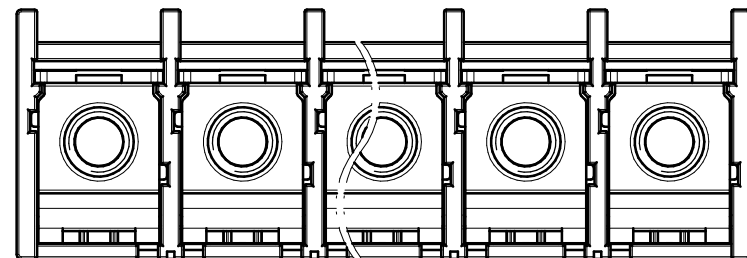
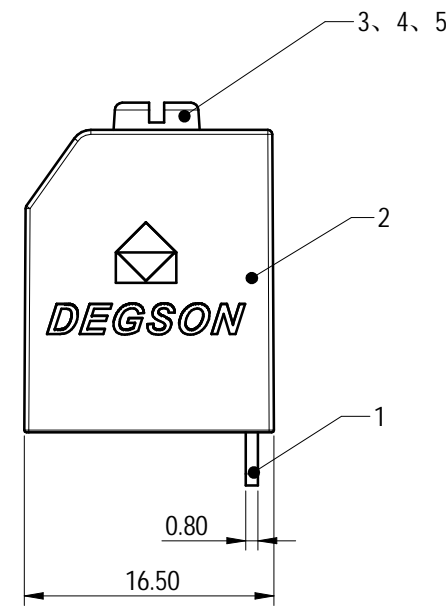
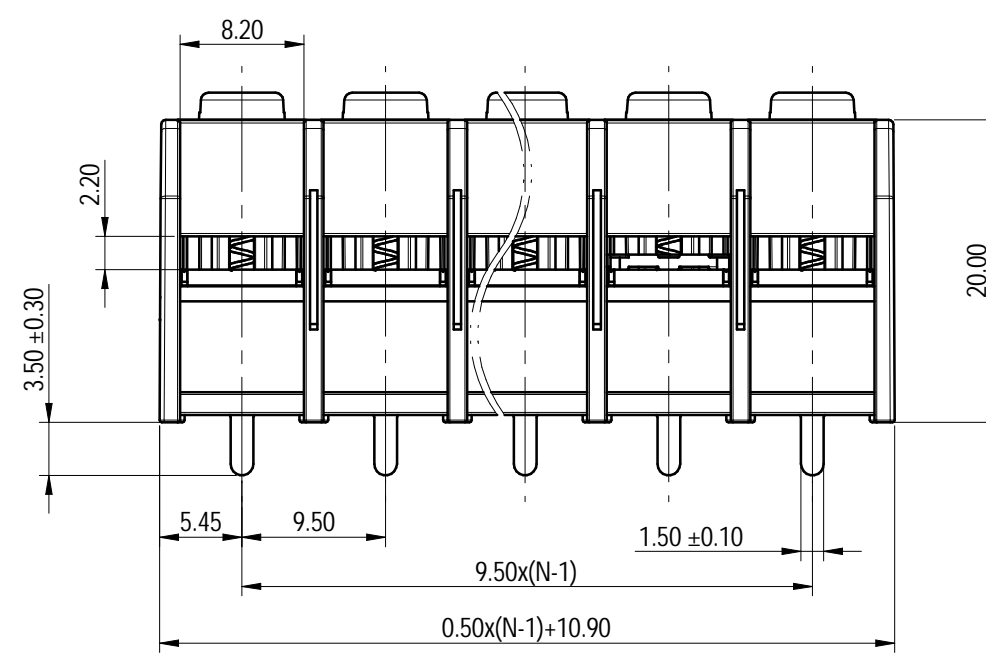
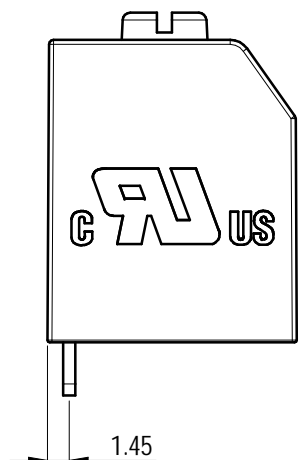
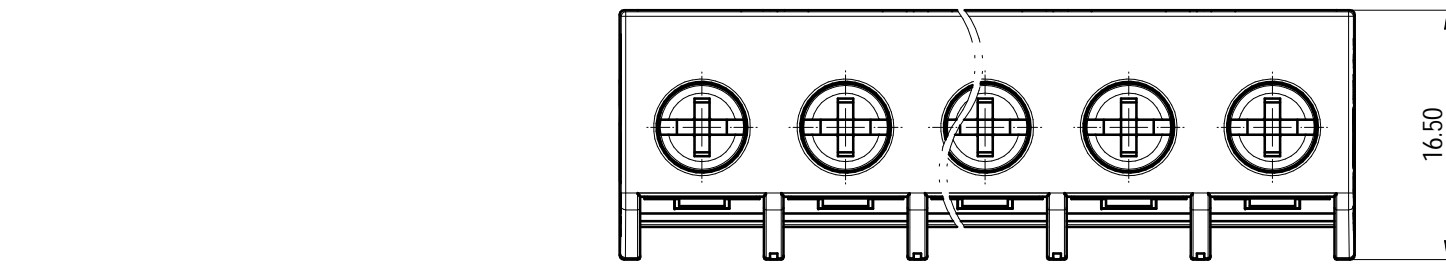


未注公差/General tolerances (mm)														
0	>3	>6	>10	>18	>30	>50	>80	>120	>180	>250	>315	>400	>500	0.1/10
~3	~6	~10	~18	~30	~50	~80	~120	~180	~250	~315	~400	~500	~2.50	±2'
±0.12	±0.18	±0.22	±0.26	±0.31	±0.37	±0.57	±0.80	±0.93	±1.05	±1.15	±1.60	±2.20	±2.50	

UL 标准/UL Standard:	B	C	D
额定电压/电流/Rated Voltage(V)/Current(A)	300/30	300/30	300/10
UL工频耐压/R.M.S withstand voltage	AC1600V/1Min.		
螺丝扭矩/Torque Tightening(N·m/Lb.in)	M4, 1.2/10.6		
线径范围(硬线和软线)/Wire Range(rigid and flexible)(AWG)	22~10		
间距/Pitch(mm)/线数范围/Poles	9.50/N=02~14P		
剥线长度/Stripping length(mm)	6~7		
使用温度范围/Operating temperature(°C)	-40~+105		
符合RoHS环保要求/Conform to RoHS	Yes		



ITEM	NAME OF PART	MATERIAL	NOTES
5	Screw	Steel	M4/Ni Plated
4	Shim	Steel	Ni Plated
3	Spring	SUS304	/
2	Housing	PA66+GF	UL94V-0
1	Pin header	Copper alloy	Sn Plated

<b>DEGSON</b>			MATERIAL: /	SURFACE/COLOR: /	
APPD: 蓝贵凡	2023.07.12	NAME	DG46SU-XXP-1Y-00Z (H)		
CHKD: 曹利彬	2023.07.12	DRAWING NO.	200201657	TYPE	CUSTOMER DRAWING
DRFT: 汪德荣	2023.07.12	DRAWING STATUS	/	SCALE	1:1
REV	ECN	DESCRIPTION	DRFT	DATE	SHEET
00	/	/	汪德荣	2023.07.12	1/1

Transfer or duplication of this document as well as the utilization or communication of its contents are prohibited unless explicit authorization is granted. Violations will be liable for compensation. All rights reserved for patent. 复制或再行发布此文件以及其内容之利用或传播，未经许可，均属侵权行为。本公司保留所有权利。未经许可，不得复制或再行发布此文件。本公司保留所有权利。