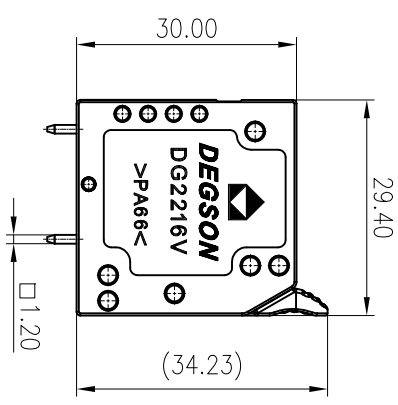
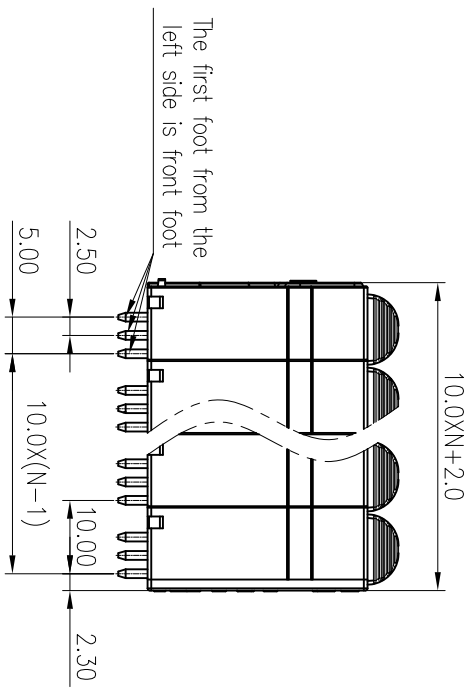
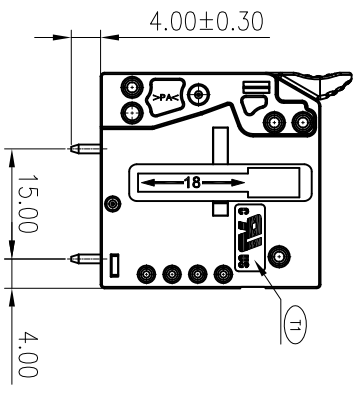
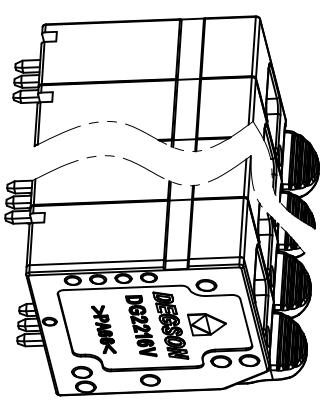
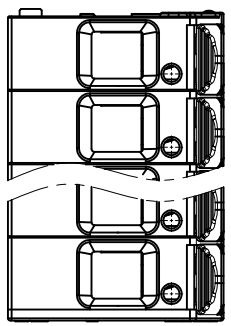
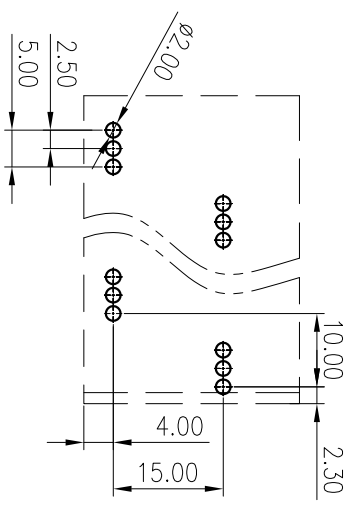


公差/General Tolerances(mm)		0	>3	>6	>10	>18	>30	>50	>80	>120	>180	>250	>315	>400	>500	0.1/10
~	~	~	~	~	~	~	~	~	~	~	~	~	~	~	~	±Z
±0.12	±0.18	±0.22	±0.26	±0.31	±0.37	±0.43	±0.57	±0.80	±0.93	±1.05	±1.15	±1.60	±2.20	±2.50	±Z	±Z



PCB LAYOUT



UL 标准/UL Standard:	B	C	D
额定电压/Rated Voltage(V)	600/661	600/661	661/661
EC 标准/EC Standard:	/		
过压类别/Overvoltage Category/污秽等级/ Pollution Degree	III/3	III/2	II/2
额定电压/电流/Rated Voltage(V)/Current(A)	1000/761	1000/761	1000/761
额定脉冲电压/(KV)/Rate Impulse Voltage(KV)	8	8	8
线径范围(硬线和软线)/Wire Range(rigid and flexible)(mm ² /AWG)	0.2~16(25mm ² so)/18~4		
间距/Pitch(mm)/线数范围/Poles	10.0/N=02~12P		
剥线长度/Stripping length(mm)	18~20		
使用温度范围/Operating temperature(°C)	-40~+105		
符合RoHS环保要求/Conform to RoHS	Yes		

SURFACE:

MATERIAL:

MAT NO.:

STATUS:

APPROL: CHH 2021.05.10

CHKD: Yu JZh 2021.05.10

DRAFT: ChenZh 2019.12.05

DEGSON® NINGBO DEGSON ELECTRICAL CO., LTD

NAME: DG2216V-10.0-DA-XXP-1Y-00A(H)

DRAWING NO.: 10001062

TYPE: CUSTOMER DRAWING

REV	ECN	DESCRIPTION	DRAFT	DATE
11	20210086	1xAdd the UL lettering	Chen Zh	2021.05.10

SIZE: A4	SCALE: 1:1	REV	T1
TYPE: CUSTOMER DRAWING	SCALE: 1:1	SHEET	1/1