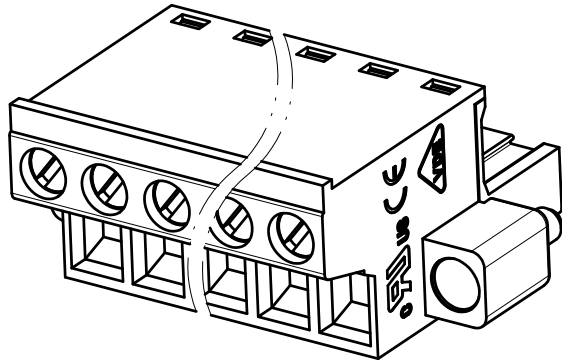
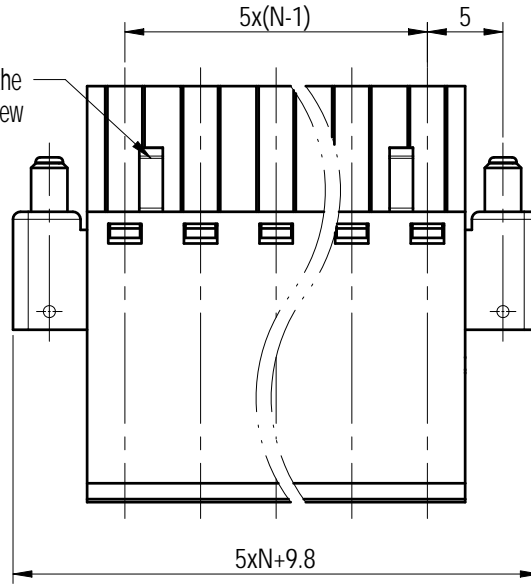


Transfer or duplication of this document as well as the utilization or communication of its contents are prohibited unless authorized in writing by Degson. All rights reserved for patent. 未经授权复制或传播本文件内容，或在本文件基础上进行复制或传播，均属于侵权行为。 除专利等明确标注外，其他标注均归 Degson 公司所有。 未经授权，不得复制或传播本文件内容。 所有标注均归 Degson 公司所有。 未经授权，不得复制或传播本文件内容。



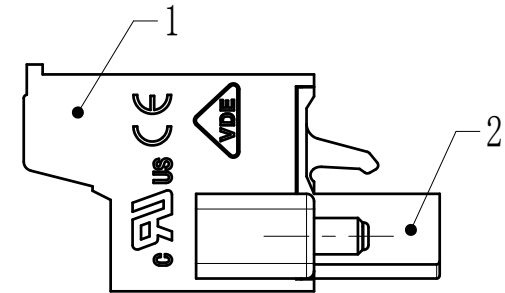
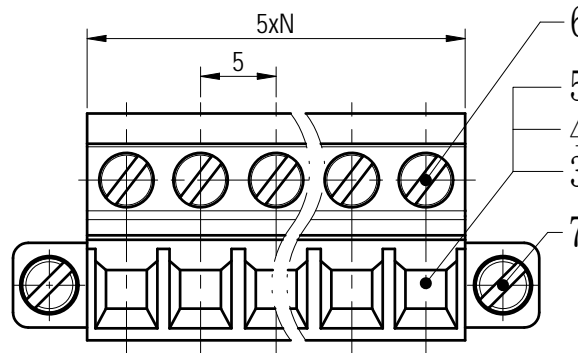
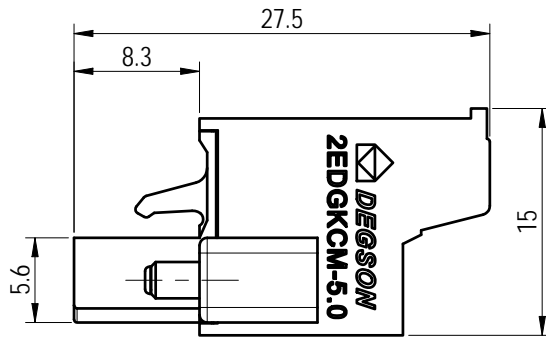
O2P: Clasp on the left from this view



未注公差/General tolerances (mm)													0.1/10 ±2'
0 ~ 3	>3 ~ 6	>6 ~ 10	>10 ~ 18	>18 ~ 30	>30 ~ 50	>50 ~ 80	>80 ~ 120	>120 ~ 180	>180 ~ 250	>250 ~ 315	>315 ~ 400	>400 ~ 500	
±0.12	±0.18	±0.22	±0.26	±0.31	±0.37	±0.57	±0.80	±0.93	±1.05	±1.15	±1.60	±2.20	±2.50

UL 标准/UL Standard:	B	C	D
额定电压/电流/Rated Voltage(V)/Current(A)	300/15	150/15	300/10
IEC 标准/IEC Standard:			
过压类别/Ovenvoltage Category/污染等级/Pollution Degree	III/3	III/2	II/2
额定电压/电流/Rated Voltage(V)/Current(A)	/	320/20	/
额定脉冲电压(KV)/Rate Impulse Voltage(KV)	/	4	/
螺丝扭矩/Torque Tightening(N·m/Lb.in)	M2.5: 0.5/4.43		
线径范围(硬线和软线)/Wire Range(rigid and flexible)(AWG/mm²)	28~12 / 0.2~2.5		
间距/Pitch(mm)/线数范围/Poles	5.0/N=02~24P		
剥线长度/Stripping length(mm)	9~10		
使用温度范围/Operating temperature(°C)	-40~+105		
符合RoHS环保要求/Conform to RoHS	Yes		
7	Screw2	Steel	M2.5/Zn Plated
6	Screw1	Steel	M2.5/Zn Plated
5	Cage	Steel	M2.5/Zn Plated
4	Block	Steel	Zn Plated
3	Clamp	Copper alloy	Sn Plated
2	Cover	PA66	UL94V-0
1	Housing	PA66	UL94V-0
ITEM	NAME OF PART	MATERIAL	NOTES

Note:
The A&Z (H) in the name means: A(H) and Z(H).



		MATERIAL:	SURFACE/COLOR:		
		MAT NO./REV:	- / 00		
APPD: 兰春华	2023.03.31	NAME			
CHKD: 龚耀志	2023.03.31	2EDGKCM-5.0-XXP-1Y-00A&Z(H)			
DRFT: 朱岳鹏	2023.03.31	DRAWING NO.	TYPE	DRAWING STATUS	SCALE
		200020323	CUSTOMER DRAWING	已发布	2:1
					SHEET 1/1

REV	ECN	DESCRIPTION	DRFT	DATE
00			朱岳鹏	2023.03.31