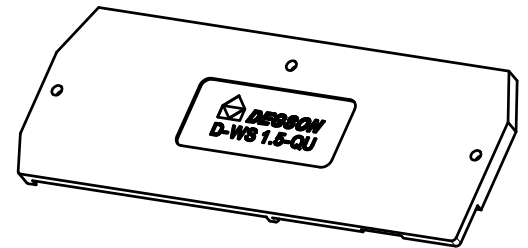
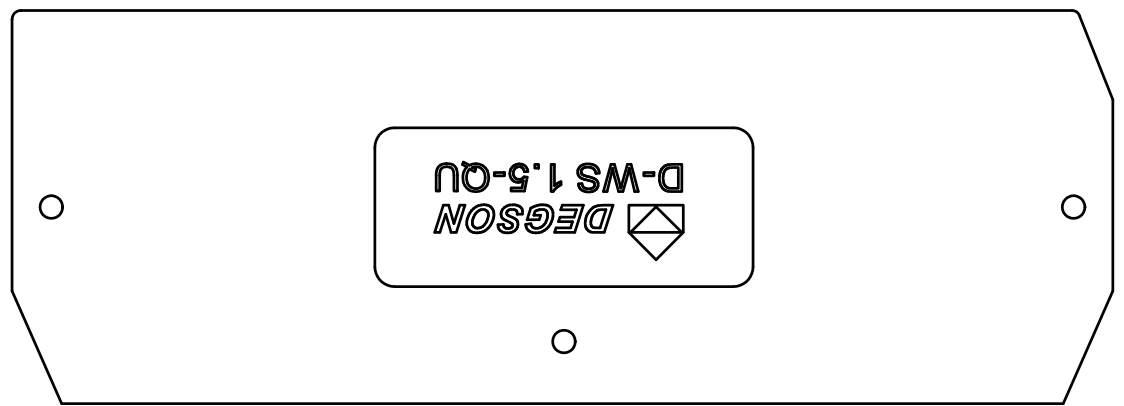
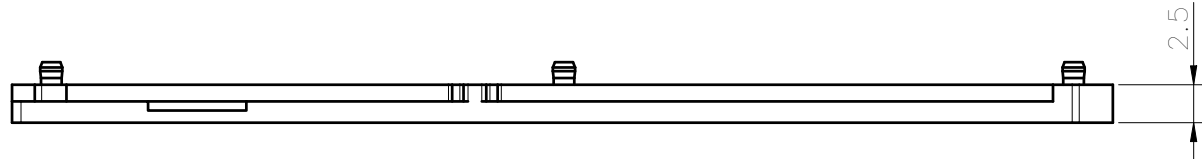
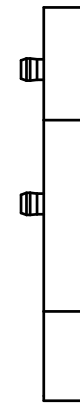
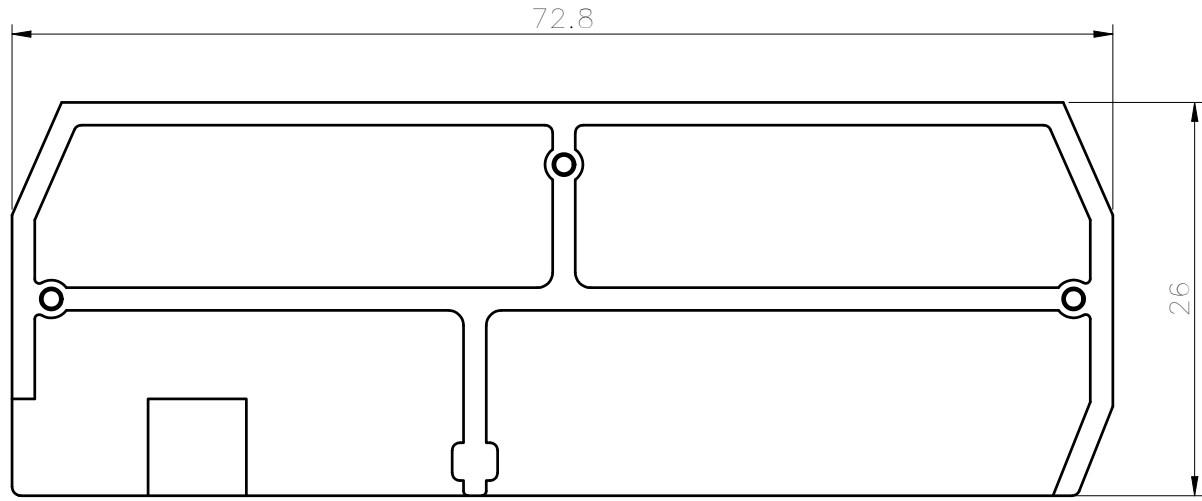


Transfer or duplication of this document as well as the utilization or communication of its contents are prohibited unless explicit authorization is granted. DEGSON will be liable for compensation. All rights reserved for patent, utility model or designs registrations. 非经书面明确授权，严禁禁止转让、复制、利用、交流本文件的内容。一经发现侵权必究。本公司保留对涉及发明、实用新型和外观设计的所有权利。

未注公差/General tolerances(mm)											0.1/10 ±2'
0	>3	>6	>10	>18	>30	>50	>80	>120	>180	>250	
~	~	~	~	~	~	~	~	~	~	~	>500
±0.12	±0.16	±0.22	±0.26	±0.31	±0.37	±0.57	±0.80	±0.93	±1.05	±1.15	±1.60
±0.12	±0.16	±0.22	±0.26	±0.31	±0.37	±0.57	±0.80	±0.93	±1.05	±1.15	±1.60



使用温度范围/Operating temperature(°C)	-40~+105
符合 RoHS 环保要求/Conform to RoHS	Yes
阻燃等级/Flame class	UL94V-0

DEGSON		MATERIAL: PA66	SURFACE: /	
APPD: Peng M 2022.06.07		MAT NO./REV: /		NAME
CHKD: Gao WG 2022.06.07		D-WS1.5-QU-01P-1Y-00A(H)		
DRFT: Chen KZ 2022.06.07		DRAWING NO. /	TYPE	DRAWING STATUS
A4		CUSTOMER DRAWING		SCALE
mm (inch)		/		SHEET 1/1

REV	ECN	DESCRIPTION	DRFT	DATE
00	/	/	Chen KZ	2022.06.07