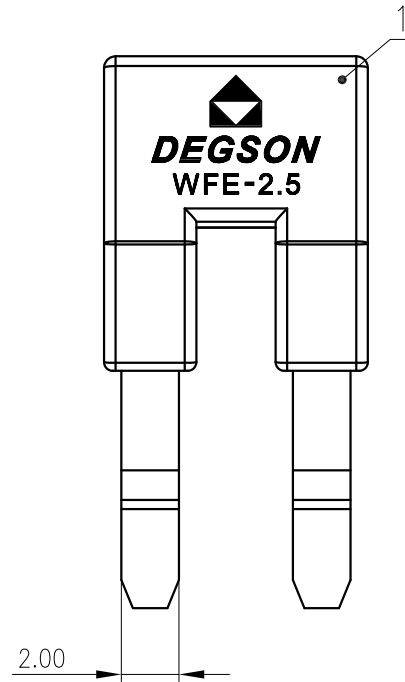
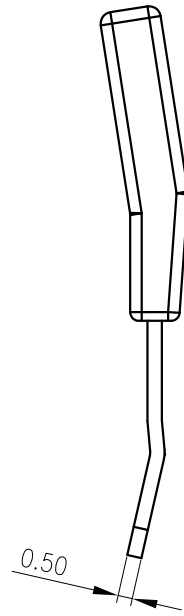
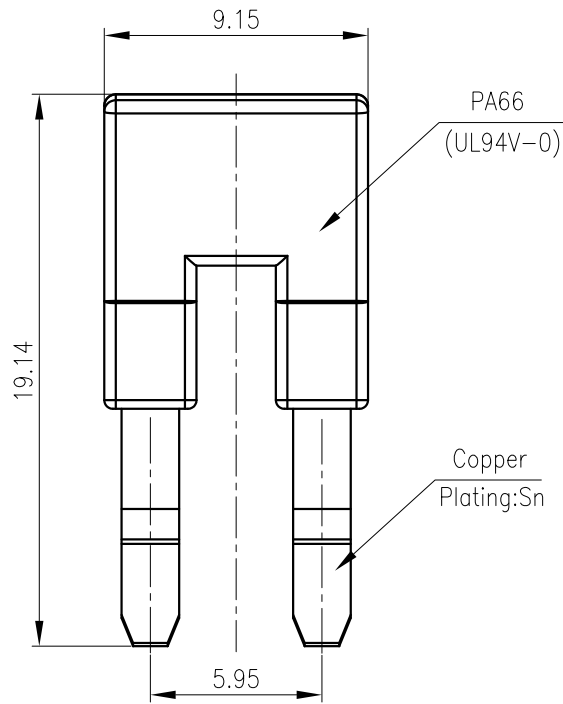


| 未注公差/General tolerances(mm) | | | | | | | | | | | | 0.1/10 ±2' | |
|-----------------------------|--------------|---------------|----------------|----------------|----------------|----------------|-----------------|------------------|------------------|------------------|------------------|---------------|------------------|
| 0 ~ 3 | >3 ~ 6 | >6 ~ 10 | >10 ~ 18 | >18 ~ 30 | >30 ~ 50 | >50 ~ 80 | >80 ~ 120 | >120 ~ 180 | >180 ~ 250 | >250 ~ 315 | >315 ~ 400 | | >400 ~ 500 |
| ±0.12 | ±0.18 | ±0.22 | ±0.26 | ±0.31 | ±0.37 | ±0.57 | ±0.80 | ±0.93 | ±1.05 | ±1.15 | ±1.60 | ±2.20 | ±2.50 |



| 1 | WFE-2.5-01P-11-00A(H) | | |
|----------------------------------|-----------------------|----------|-------|
| ITEM | NAME OF PART | MATERIAL | NOTES |
| 间距/Pitch(mm)/线数范围/Poles | | 5.95/01P | |
| 使用温度范围/Operating temperature(°C) | | -40~+105 | |
| 符合RoHS环保要求/Conform to RoHS | | Yes | |

| | | | |
|--------------------------|---|-----------------------|-----------|
| MATERIAL: | SURFACE: | | |
| MAT NO.: / | 宁波高松电子有限公司 NINGBO DEGSON ELECTRICAL CO., LTD | | |
| STATUS: / | | | |
| APPD: Li GL 2020.06.06 | | | |
| CHKD: Mao J 2020.06.06 | | | |
| DRFT: Feng X 2020.05.26 | NAME: | WFE-2.5-01P-1Y-00A(H) | |
| DRAWING NO.: WFE-2.5-C01 | | REV | TO |
| TYPE: CUSTOMER DRAWING | | SCALE: 4:1 | SHEET 1/1 |

| REV | ECN | DESCRIPTION | DRFT | DATE |
|-----|-----|-------------|------|------|
| | | | | |

SIZE: A4 $\leftarrow \frac{\text{mm}}{\text{inch}} \rightarrow$