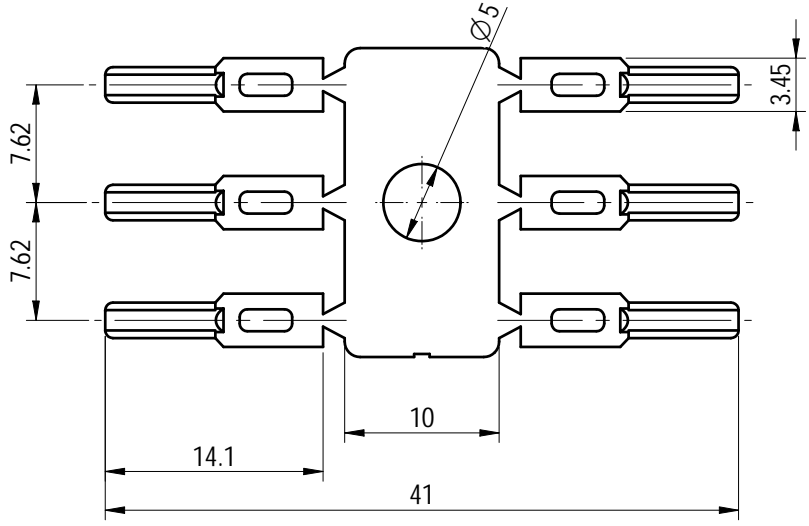
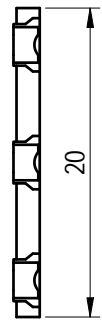
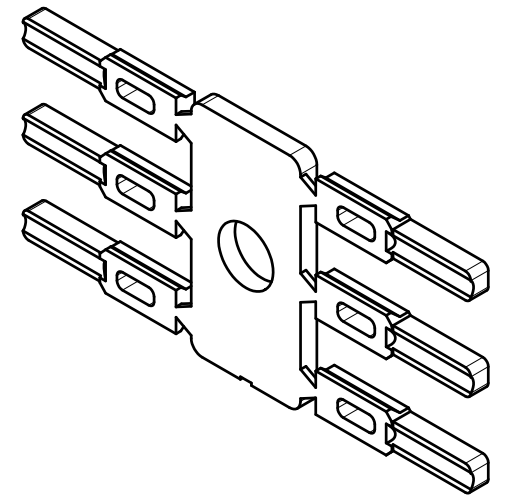
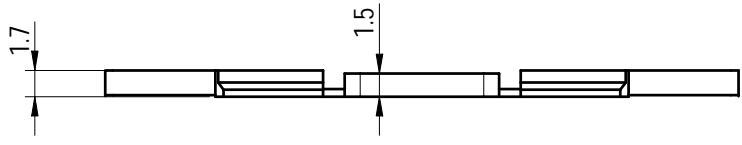


未注公差/General tolerances (mm)											0.1/10 ±2'		
0 ~ 3	>3 ~ 6	>6 ~ 10	>10 ~ 18	>18 ~ 30	>30 ~ 50	>50 ~ 80	>80 ~ 120	>120 ~ 180	>180 ~ 250	>250 ~ 315		>315 ~ 400	>400 ~ 500
±0.12	±0.18	±0.22	±0.26	±0.31	±0.37	±0.57	±0.80	±0.93	±1.05	±1.15	±1.60	±2.20	±2.50



1	Housing	PA66	UL94V-0
ITEM	NAME OF PART	MATERIAL	NOTES
使用温度范围/Operating temperature(°C)			-40~+105
符合RoHS环保要求/Conform to RoHS			Yes

		MATERIAL:	SURFACE/COLOR:	
MAT NO./REV: / 00		MAT STATUS: 批量		
APPD: 兰春华	2022.12.26	NAME		
CHKD: 陈招	2022.12.21	5EDG-PWI-06P-1Y-00A&Z (H)		
DRFT: 龚徐涛	2022.12.21	DRAWING NO.	TYPE	DRAWING STATUS
A4		200029364	CUSTOMER DRAWING	work
A4		SCALE	SHEET	
A4		2:1	1/1	

REV	ECN	DESCRIPTION	DRFT	DATE
01		1x5EDG-PWI structural change	龚徐涛	2022.12.21

Transfer or duplication of this document as well as the utilization or communication of its contents are prohibited unless explicit authorization is granted. Violations will be liable for compensation. All rights reserved for patent, utility model, or designs registrations. 除非经许可者外, 否则禁止转让、复制、利用、交流、本文件的内容, 未经许可者, 擅自复制或传播, 本公司保留对涉及发明、实用新型及外观设计的所有权利。