

未注公差/General tolerances(mm)											0.1/10	
0	>3	>6	>10	>18	>30	>50	>80	>120	>180	>250		
~3	~6	~10	~18	~30	~50	~80	~120	~180	~250	~315	>400	>500
±0.12	±0.18	±0.22	±0.26	±0.31	±0.37	±0.57	±0.80	±0.93	±1.05	±1.15	±1.60	±2.50

A

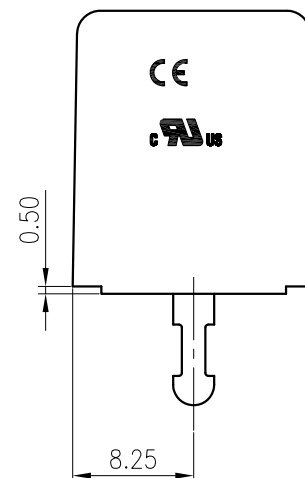
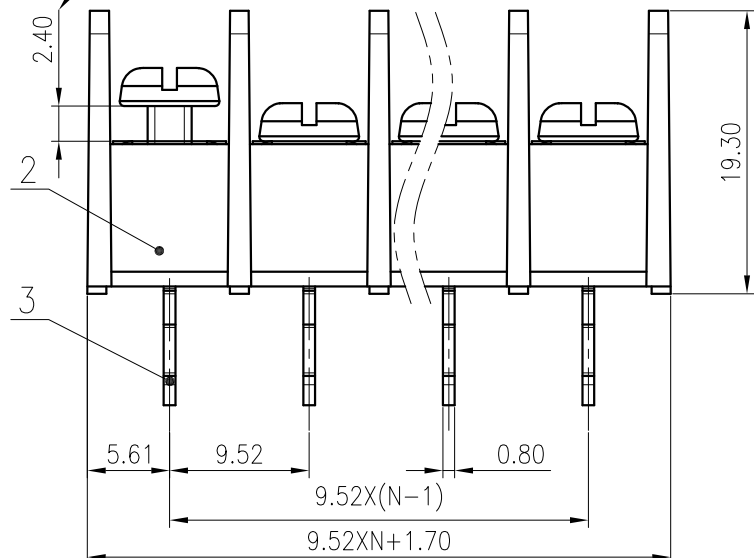
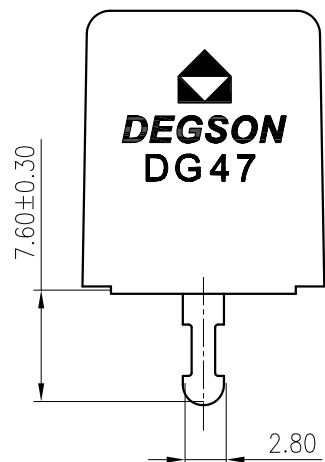
B

C

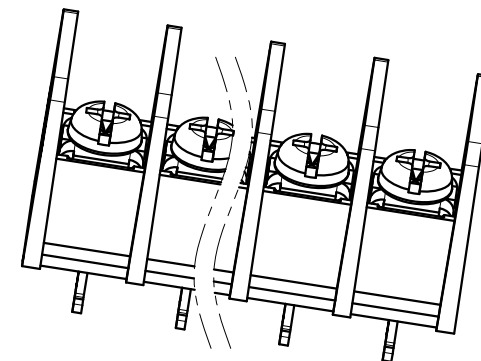
D

1 Captive screw

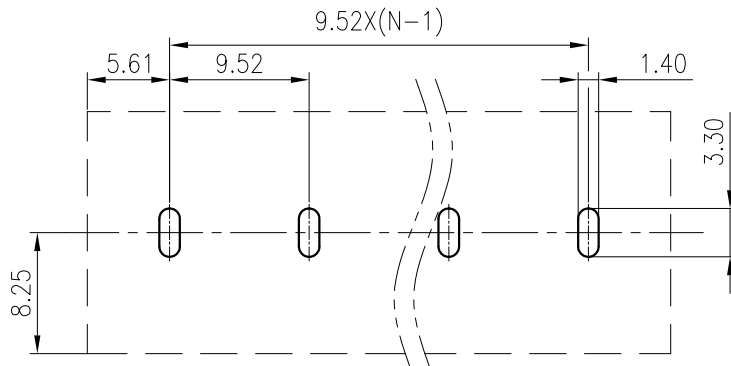
screw stroke



Please refer to the 3D model, for those unmarked dimensions



PCB LAYOUT



3	Pin header	Copper alloy	Sn plated
2	Housing	PA66	UL94V-0
1	Screw	Steel	#6-32X1/4" ZINC-PLATED PHILIPS

ITEM	NAME OF PART	MATERIAL	NOTES
UL 标准/UL Standard:		B	C
额定电压/电流/Rated Voltage(V)/Current(A)		300/20	300/20
IEC 标准/IEC Standard:		D	600/5
过压类别/Overvoltage Category/污染等级/Pollution Degree		III/3	III/2
额定电压/电流/Rated Voltage(V)/Current(A)		/	/
额定脉冲电压(KV)/Rate Impulse Voltage(KV)		/	/
螺丝扭矩/Torque Tightening(Lb.in)		#6-32, 7.02	
线径范围(硬线和软线)/Wire Range(rigid and flexible)(AWG)		22~12	
间距/Pitch(mm)/线数范围/Poles		9.52/N=02~22P	
剥线长度/Stripping length(mm)		/	
使用温度范围/Operating temperature(°C)		-40~+105	
符合RoHS环保要求/Conform to RoHS		Yes	
标准颜色编号/Standard color number: PANTONE / RAL		/	

MATERIAL: /	SURFACE: /		
MAT NO.: /	宁波高松电子有限公司 NINGBO DEGSON ELECTRICAL CO., LTD		
STATUS: /	NAME: DG47-B-XXP-1Y-00A(H)		
APPD: Li GL 2020.12.21	DRAWING NO.: DG47-B-C01		REV TO
CHKD: Mao J 2020.12.21	TYPE: CUSTOMER DRAWING		SHEET 1/1
DRFT: MaEK 2020.10.21	SCALE: 2:1		

REV	ECN	DESCRIPTION	DRFT	DATE