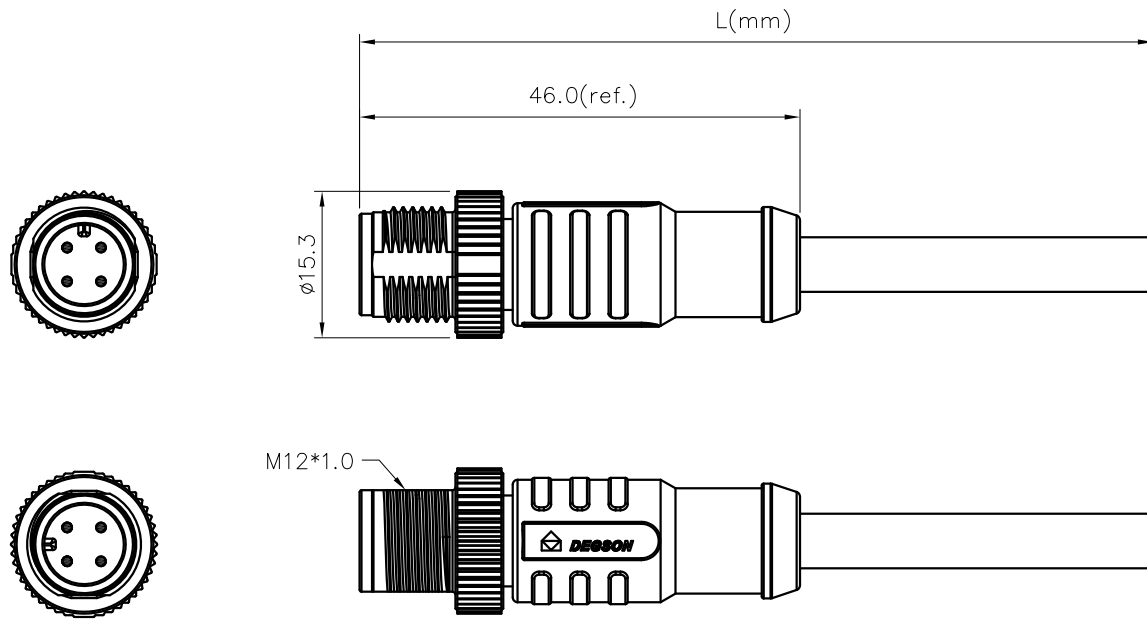


REVISION RECORD

REV	ECN	DESCRIPTION	DRFT	DATE
-----	-----	-------------	------	------




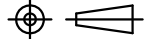
PM-M12X-XXP-MM-SL8XXX-00A(H)

Coding: A,B,D

Pin number: 03,04,  
05,06,08,  
10,12,17

Cable jacket:  
A: PVC UL2517;  
B: PUR UL20549  
C: PVC UL2517 For UL Approve  
D: PUR UL20549 For UL Approve

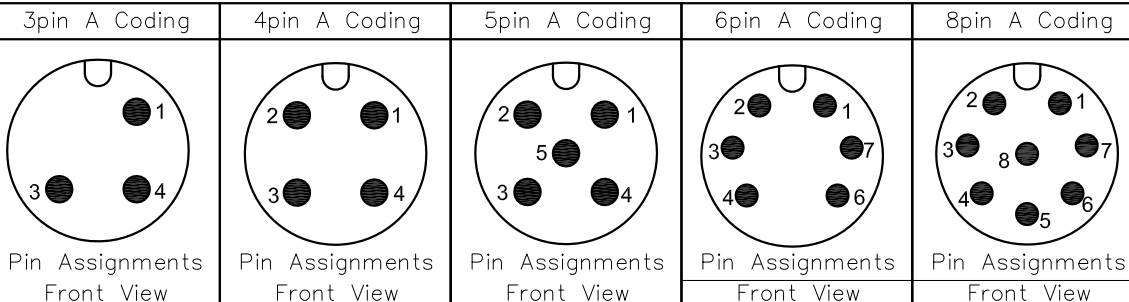
Cable length L:  
01: 1M  
...  
99: 99M  
The line grows business trip:  
01~05m:  $\pm 50mm$   
06~10m:  $\pm 100mm$   
11~30m:  $\pm 200mm$   
31~99m:  $\pm 500mm$

DETACHED LISTS	PART NO.: PMM12XXXXPMSL8XXX00AH		 宁波高松电子有限公司 NINGBO DEGSON ELECTRICAL CO., LTD	
	APPD:	NAME: PM-M12X-XXP-MM-SL8XXX-00A(H)		
	CHKD:	TITLE: CUSTOMER DRAWING		
	DRFT: LRS 2020.09.10	REV: D0-3	SHEET: 1/2	
 THIRD ANGLE PROJECTION		DRAWING NO.: XXXXXXXX-XX-CXX MM (INCH)	DO NOT SCALE DRAWING	SCALE: 1:1

REVISION RECORD

REV	ECN	DESCRIPTION	DRFT	DATE
-----	-----	-------------	------	------

H



G

Pin Assignments Front View

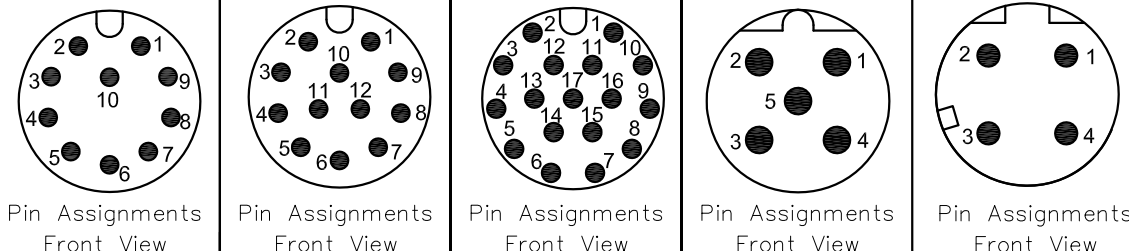
F

Pin	Wire Color	Pin	Wire Color	Pin	Wire Color	Pin	Wire Color	Pin	Wire Color
8	Red	7	Blue	6	Pink	5	Grey	4	Yellow
3	Blue	3	Blue	3	Blue	3	Blue	3	Green
2	White	2	White	2	White	2	White	2	Brown
1	Brown	1	Brown	1	Brown	1	Brown	1	White

E

Pin Out

D



Pin Assignments Front View

C

17	White/Grey	17	White/Grey
16	Yellow/Brown	16	Yellow/Brown
15	White/Yellow	15	White/Yellow
14	Brown/Green	14	Brown/Green
13	White/Green	13	White/Green
12	Red/Blue	12	Red/Blue
11	Grey/Pink	11	Grey/Pink

B

10	Violet	10	Violet	10	Violet	5	Grey	4	Blue
9	Red	9	Red	9	Red	4	Black	3	Orange
8	Grey	8	Grey	8	Grey	3	Blue	2	White
7	Black	7	Black	7	Black	2	White	1	Yellow
6	Yellow	6	Yellow	6	Yellow	1	Brown	1	Yellow
5	Pink	5	Pink	5	Pink	Pin	Wire Color	Pin	Wire Color
4	Green	4	Green	4	Green	Pin	Wire Color	Pin	Wire Color
3	White	3	White	3	White	Pin	Wire Color	Pin	Wire Color
2	Blue	2	Blue	2	Blue	Pin	Wire Color	Pin	Wire Color
1	Brown	1	Brown	1	Brown	Pin	Wire Color	Pin	Wire Color

A

Pin Out

NOTES:

- Rated voltage/current : 3pin A: 250V / 4A  
4pin A: 250V / 4A  
5pin A: 60V / 4A  
6pin A: 30V / 2A  
8pin A: 30V / 2A  
10pin A: 30V / 1.5A  
12pin A: 30V / 1.5A  
17pin A: 30V / 1.5A  
5pin B: 60V / 4A  
4pin D: 250V / 4A
- Withstanding voltage : 3,4pin A: AC1500V/1Min  
5pin A: AC1120V/1Min  
6,8pin A: AC500V/1Min  
10,12,17pin A: AC500V/1Min  
5pin B: AC1120V/1Min  
4pin D: AC1500V/1Min
- Levels of protection: IP68
- Cable specifications :  
3pin A: 3C\*22AWG/0.34mm<sup>2</sup>,UL2517/UL20549  
4pin A: 4C\*22AWG/0.34mm<sup>2</sup>,UL2517/UL20549  
5pin A: 5C\*22AWG/0.34mm<sup>2</sup>,UL2517/UL20549  
6pin A: 6C\*24AWG/0.25mm<sup>2</sup>,UL2517/UL20549  
8pin A: 8C\*24AWG/0.25mm<sup>2</sup>,UL2517/UL20549  
10pin A: 10C\*26AWG/0.14mm<sup>2</sup>,UL2517/UL20549  
12pin A: 12C\*26AWG/0.14mm<sup>2</sup>,UL2517/UL20549  
17pin A: 17C\*26AWG/0.14mm<sup>2</sup>,UL2517/UL20549  
5pin B: 5C\*22AWG/0.34mm<sup>2</sup>,UL2517/UL20549  
4pin D: 4C\*22AWG/0.34mm<sup>2</sup>,CAT 5E
- Wire connection mode: soldering
- Operating temperature: PVC Cable: -25°C~+85°C  
PUR Cable: -25°C~+80°C
- RoHS Compliance
- Tolerance : ±0.5mm

DETACHED LISTS	PART NO.: PMM12XXXPMSL8XXX00AH	宁波高松电子有限公司 NINGBO DEGSON ELECTRICAL CO., LTD		
	APPD:	NAME: PM-M12X-XXP-MM-SL8XXX-00A(H)		
	CHKD:	TITLE: CUSTOMER DRAWING		
	DRFT: LRS 2020.09.10	REV: D0-3	DATE: 2020.09.10	
 THIRD ANGLE PROJECTION		DRAWING NO.: XXXXXXXX-XX-CXX	SHEET: 2/2	SCALE: 1:1
			DO NOT SCALE DRAWING	SCALE: 1:1

H

G

F

E

D

C

B

A