

| REVISION RECORD | | | | |
|-----------------|-----|-------------|------|------|
| REV | ECN | DESCRIPTION | DRFT | DATE |
| | | | | |

Technical characteristics:

Specifications
 DIN EN 60 664-1
 DIN EN 61 984

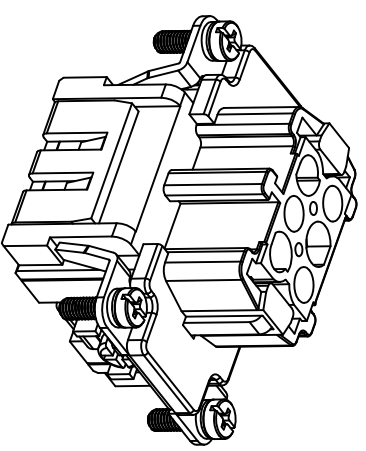
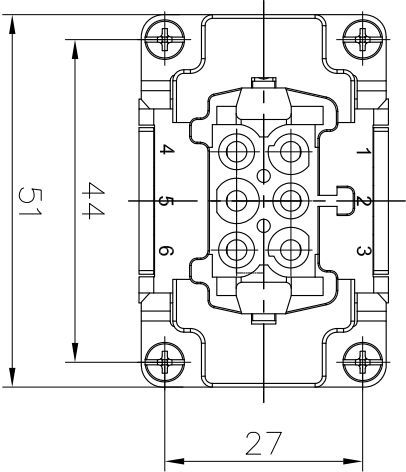
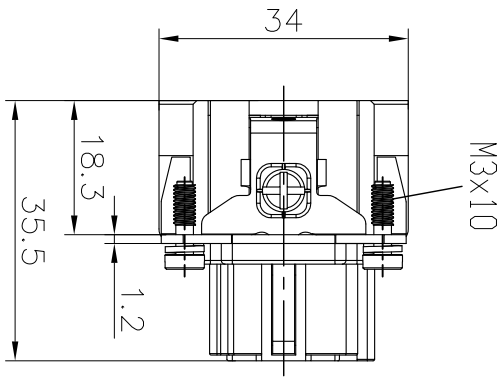
Inserts

01. Number of contacts : 6+PE
02. Rated Current : 16A
03. Rated Voltage : 500V
04. Pollution degree : 3
05. Rated impulse voltage : 6kV¹⁰
06. Insulation resistance : $\geq 10^9 \Omega$
07. Material: Polycarbonate
08. Rated voltage acc. to UL/CSA: 600V
09. Limiting temperatures : -40°C ~ +125°C
10. Flammability acc. to UL94: V0
11. Mechanical working life (mating cycles) : ≥ 500

Contacts

01. Material: Copper alloy
02. Surface: hard-silver plated
03. Contact resistance : $\leq 1m\Omega$
04. Terminal : Crimp terminal
05. Wire gauge : 0.14-4.0mm² (AWG 26-12)
06. Stripping length : 7.5mm
07. Rohns Compliance

Note: Crimp contact pins should order separately



A 8 7 6 5 4 3 2 1

| DETACHED LISTS | | | |
|----------------|---------------------|------------------------|---|
| PART NO.: | / | NAME: | DEGSON® NINGBO DEGSON ELECTRICAL CO., LTD 宁波高松电子有限公司 |
| APPD: | | TITLE: | CUSTOMER DRAWING |
| CHKD: | | DRAWING NO.: | / |
| DRFT: | Mr. Yang 2016.08.08 | THIRD ANGLE PROJECTION | DO NOT SCALE DRAWING |
| REV | DO | SHEET | SCALE |
| | | 1/1 | 1:1 |

A 1