

| REVISION RECORD | | | |
|-----------------|-----|-------------|-----------|
| REV | ECN | DESCRIPTION | DRFT DATE |
| | | | |

Technical characteristics:

Specifications
 DIN EN 60 664-1
 DIN EN 61 984

Inserts

01. Number of contacts : 4/8+PE
02. Rated Current : 80A/16A
03. Rated Voltage : 400V/400V
04. Pollution degree : 3
05. Rated impulse voltage : 8kV_{to}
06. Insulation resistance : ≥10 Ω
07. Material : Polycarbonate
08. Rated voltage acc. to UL/CSA: 600V/600V
09. Limiting temperatures : -40°C ~ +125°C
10. Flammability acc. to UL94: V0
11. Mechanical working life (mating cycles) : ≥500

Contacts

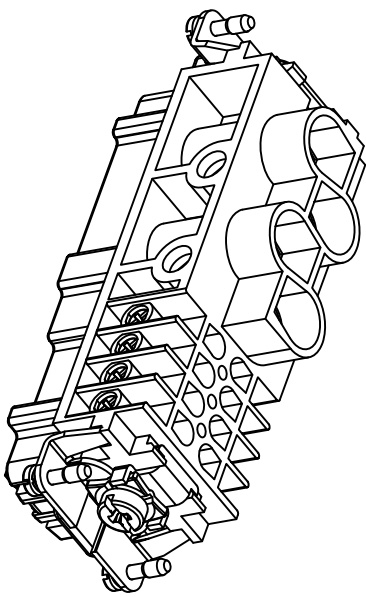
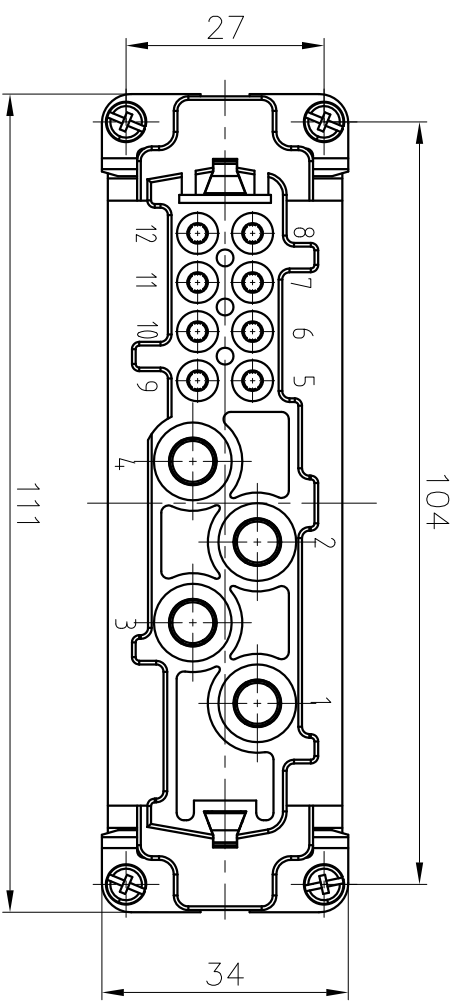
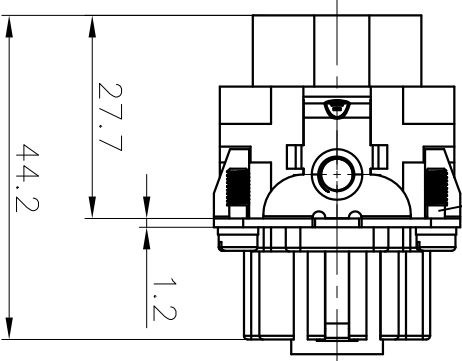
- Power contacts
01. Material: Copper alloy
 02. Surface: hard-silver plated
 03. Contact resistance : ≤0.3mΩ
 04. Terminal : Screw terminal
 05. Wire gauge : 1.5-16mm² (AWG16-6)
 06. Tightening torque :

| | | | | | | |
|-----------------|-----|-----|---|---|----|----|
| mm ² | 1.5 | 2.5 | 4 | 6 | 10 | 16 |
| Nm | 1.2 | 2 | 3 | 3 | 3 | 3 |

07. Stripping length : 14mm

Signal contacts

01. Material: Copper alloy
02. Surface: hard-silver plated
03. Contact resistance : ≤1mΩ
04. Terminal : Screw terminal
05. Wire gauge : 1.0-2.5mm² (AWG18-14)
06. Tightening torque : 0.5Nm
07. Stripping length : 7.5mm
08. RoHS Compliance



| DETACHED LISTS | | | |
|------------------------|-----------------|----------------------|---|
| PART NO.: | / | NAME: | DEGSON 宁波高松电子有限公司 NINGBO DEGSON ELECTRICAL CO., LTD |
| APPD: | | NAME: | DK-4/8-F |
| CHKD: | | TITLE: | CUSTOMER DRAWING |
| DRFT: | YONG 2016.07.28 | DRAWING NO.: | DK-4/8-F-E01 |
| THIRD ANGLE PROJECTION | | DO NOT SCALE DRAWING | SCALE |
| | | REV | DO-1 |
| | | SHEET | 1/1 |
| | | SCALE | 1:1 |