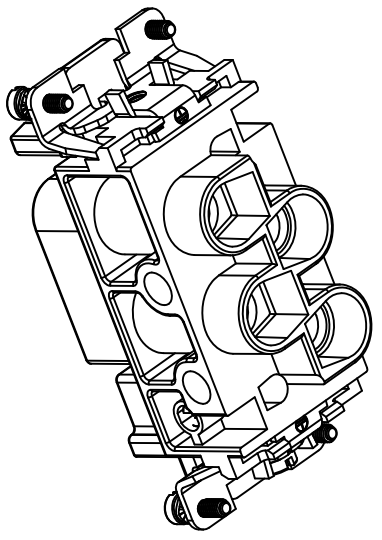
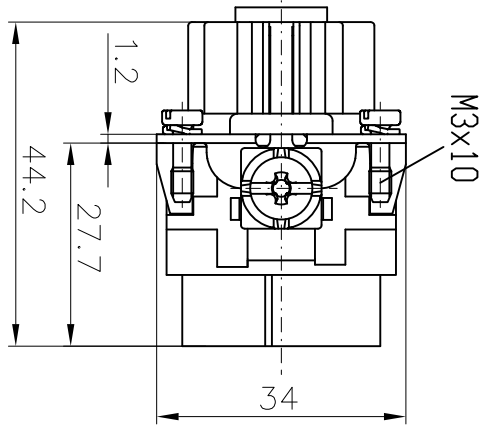
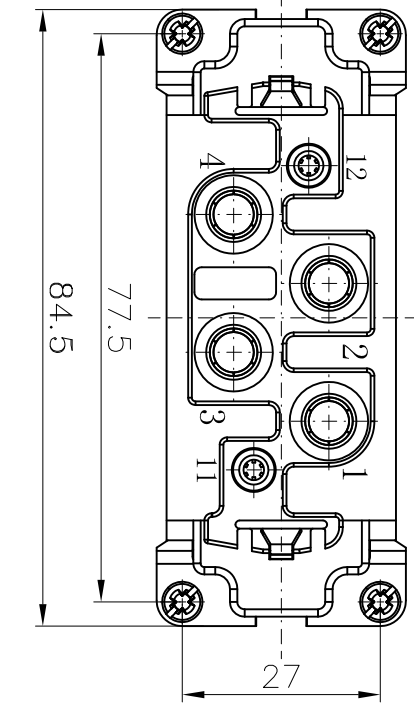


REVISION RECORD				
REV	ECN	DESCRIPTION	DRFT	DATE

Technical characteristics:  
 Specifications  
 DIN EN 60 664-1  
 DIN EN 61 984

- Inserts
01. Number of contacts : 4/2+PE
  02. Rated Current : 80A/16A
  03. Rated Voltage : 690V/400V
  04. Pollution degree : 3
  05. Rated impulse voltage : 8kV<sup>10</sup>
  06. Insulation resistance :  $\geq 10 \Omega$
  07. Material: Polycarbonate
  08. Rated voltage acc. to UL/CSA: 600V/300V
  09. Limiting temperatures : -40°C~+125°C
  10. Flammability acc. to UL94: V0
  11. Mechanical working life (mating cycles) :  $\geq 500$



- Contacts
- Power contacts
01. Material: Copper alloy
  02. Surface: hard-silver plated
  03. Contact resistance :  $\leq 0.3m\Omega$
  04. Terminal : Screw terminal
  05. Wire gauge : 1.5-16mm<sup>2</sup> (AWG16-6)
  06. Tightening torque :
- |                 |     |     |   |   |    |    |
|-----------------|-----|-----|---|---|----|----|
| mm <sup>2</sup> | 1.5 | 2.5 | 4 | 6 | 10 | 16 |
| Nm              | 1.2 | 2   | 3 | 3 | 3  | 3  |
07. Stripping length : 14mm
- Signal contacts
01. Material: Copper alloy
  02. Surface: hard-silver plated
  03. Contact resistance :  $\leq 1m\Omega$
  04. Terminal : Screw terminal
  05. Wire gauge : 0.5-2.5mm<sup>2</sup> (AWG20-14)
  06. Tightening torque : 0.5Nm
  07. Stripping length : 7.5mm
  08. Rehs Compliance

DETACHED LISTS			
PART NO.:	/	NINGBO DEGSON ELECTRICAL CO., LTD	
APPD:		宁波高松电子有限公司	
CHKD:		DK-4/2-F	
DRFT:	YANG	2016.07.28	2016.07.28
TITLE:	CUSTOMER DRAWING		
DRAWING NO.:	DK-4/2-F-E01	REV	DO-1
THIRD ANGLE PROJECTION	1:1	SHEET	1/1
DO NOT SCALE DRAWING	SCALE	1:1	1