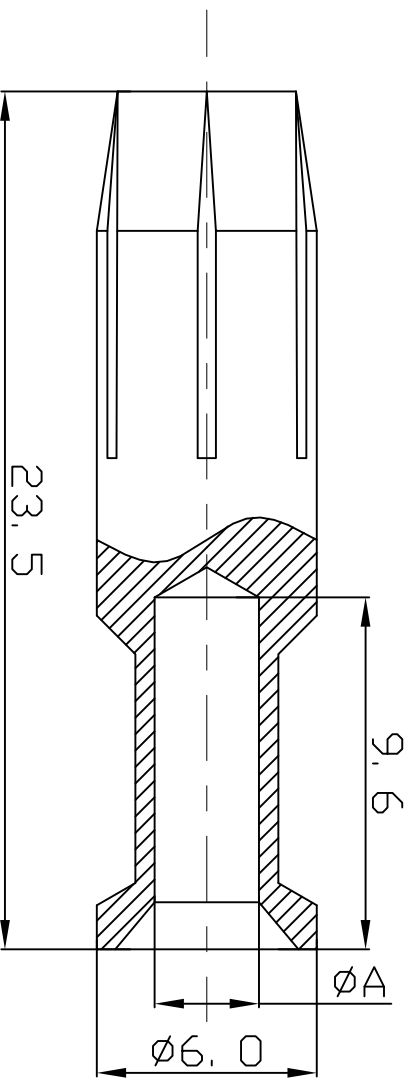


REVISION RECORD				
REV	ECN	DESCRIPTION	DRFT	DATE

H	Contacts, silver-plated Type of products	(∅A)	Wire gauge		Recommended stripping length
			(mm <sup>2</sup> )	(AWG)	
	40A-SF-1.5	1.75	1.5	16	9.0mm
	40A-SF-2.5	2.25	2.5	14	9.0mm
	40A-SF-4.0	2.85	4.0	12	9.6mm
	◆ 40A-SF-6.0	3.5	6.0	10	9.6mm
	40A-SF-10	4.3	10.0	8	12mm



- Crimp contacts
01. Material :Copper alloy
  02. Surface :hard-silver plated
  03. Contact resistance : ≤0.3mΩ
  04. Terminal :Crimp connection
  05. Wire gauge : 1.5-6mm<sup>2</sup> (AWG 16-10)
  06. Rohs Compliance

DETACHED LISTS		NAME: <b>DEGSON</b> ® NINGBO DEGSON ELECTRICAL CO., LTD 宁波高松电子有限公司	
PART NO.:	/	TITLE: CUSTOMER DRAWING	REV SHEET
APPD:		DRAWING NO.:	1/1
CHKD:		DO NOT SCALE DRAWING	SCALE
DRFT: Mr. Yang 2016.08.08		THIRD ANGLE PROJECTION	5:1