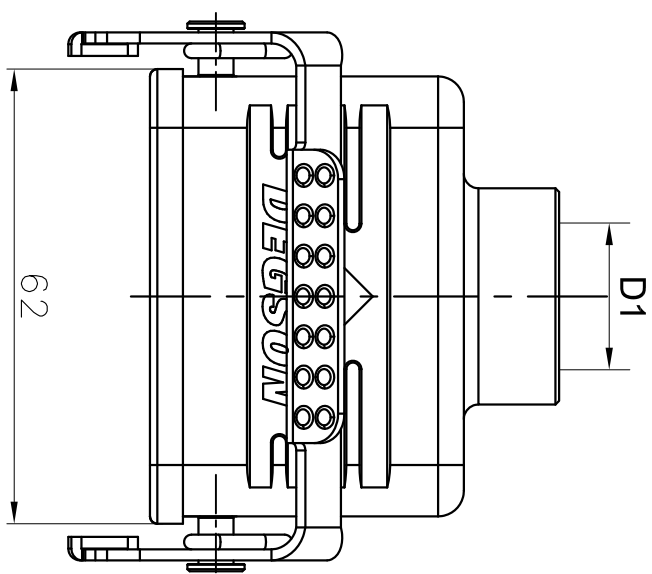
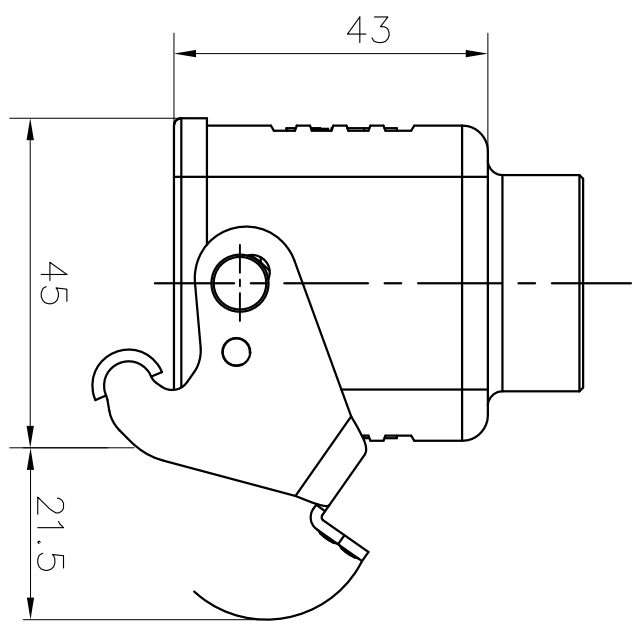
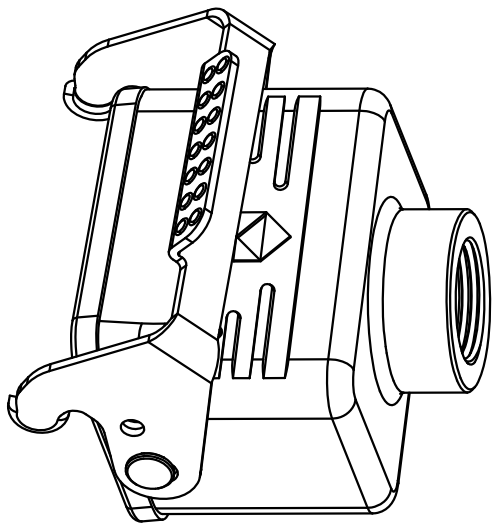


TYPE	Thread(D1)	Selection
D6B-CCT-1L-M20	M20	
D6B-CCT-1L-PG13.5	PG13.5	
D6B-CCT-1L-PG16	PG16	

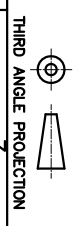
REVISION RECORD				
REV	ECN	DESCRIPTION	DRFT	DATE



Housings Feature

1. Material: aluminium die-cast
2. Surface: Powder-coated
3. Color: grey(RAL 7037)
4. Material: Metal (Lever)
5. Sealing: NBR
6. Limiting temperatures: -40°C ~ +125°C
7. Flammability acc to UL94: V0
8. Degree of protection acc: to EN60529 for coupled connector :IP65
9. Rohs compliance

DETACHED LISTS			
PART NO.:	/	NAME:	DEGSON NINGBO DEGSON ELECTRICAL CO., LTD 宁波高松电子有限公司
APPR:		TITLE:	D6B-CCT-1L-M/PG
CHKD:		DRAWING NO.:	
DRFT:	Mr. yong 2017/06/28	TITLE:	CUSTOMER DRAWING
		REV	DO-1
		SHEET	1/1
		SCALE	1:1



THIRD ANGLE PROJECTION

8 7 6 5 4 3 2 1