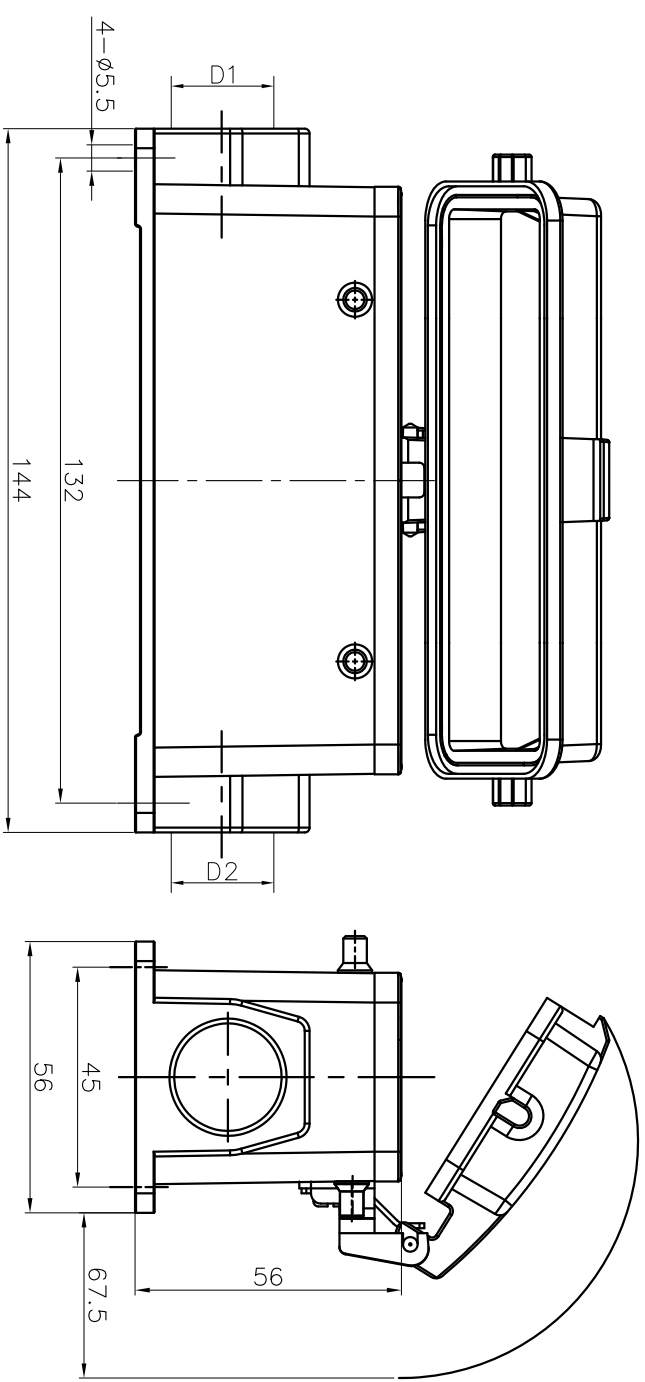
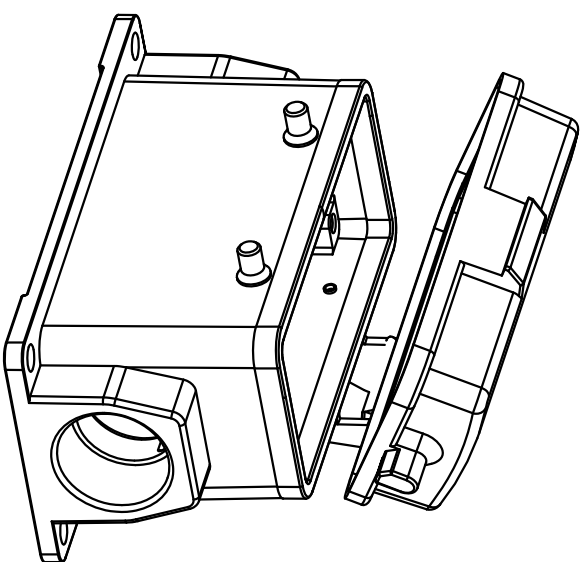


TYPE	Thread		Selection
	D1	D2	
D24B-SF-4g-CV-M25	M25	—	
D24B-SF-4g-CV-2M25	M25	M25	
D24B-SF-4g-CV-PG21	PG21	—	
D24B-SF-4g-CV-2PG21	PG21	PG21	

REVISION RECORD				
REV	ECN	DESCRIPTION	DRFT	DATE



**Housings Feature**

- 01. Material: aluminium die-cast
- 02. Surface: Powder-coated
- 03. Color: grey (RAL 7037)
- 04. Sealing: NBR
- 05. Covers: Plastic
- 06. Limiting temperatures: -40°C ~ +125°C
- 07. Flammability acc: to UL94:V0
- 08. Degree of protection acc: to IP65
- 09. RoHS compliance

DETACHED LISTS			
PART NO.:	/	NAME:	<b>DEGSON</b> 宁波高松电子有限公司 NINGBO DEGSON ELECTRICAL CO., LTD
APPR.:		TITLE:	D24B-SF-4g-CV-M/PG
CHKD.:		DRAWING NO.:	
DRFT:	Mr. yding 2017/06/28	TITLE:	CUSTOMER DRAWING
		REV	DO-1
		SHEET	1/1
		SCALE	1:1.5



THIRD ANGLE PROJECTION

A 8 7 6 5 4 3 2 1