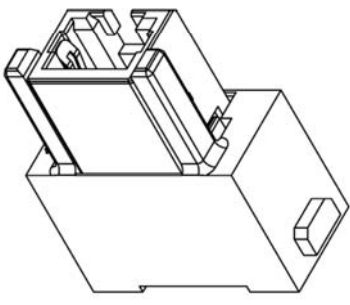
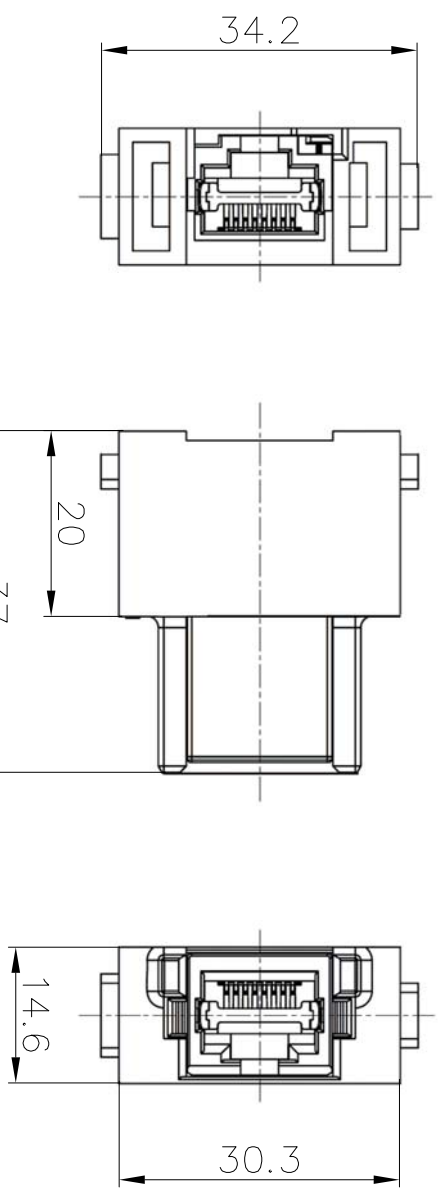


REVISION RECORD				
REV	ECN	DESCRIPTION	DRFT	DATE



Technical characteristics:

Specifications

- DIN EN 60 664
- DIN EN 61 984

Inserts

01. Number of contacts : 8
02. Rated Current : 1A
03. Rated Voltage : 50V
04. Rated impulse voltage : 0. 8kv
05. Pollution degree : 3
06. Rated voltage acc. to UL : $30V_0$
07. Insulation resistance : $\geq 10\Omega$
08. Material: Polycarbonate
09. Limiting temperatures : $-40^{\circ}\text{C} \sim +85^{\circ}\text{C}$
10. Flammability acc. to UL94: V0
11. Mechanical working life (mating cycles) : ≥ 500

DETACHED LISTS		PART NO.: /	
APPD:	CHKD:	NAME: DEGSON 宁波高松电子有限公司 NINGBO DEGSON ELECTRICAL CO., LTD	
DRFT: ydqg	2016.08.22	TITLE: CUSTOMER DRAWING	
THIRD ANGLE PROJECTION		DRAWING NO.: DM-RJ45-F-E01	REV: DO-1
		DO NOT SCALE DRAWING	SHEET: 1/1
		SCALE	

A B C D E F G H

A B C D E F G H

8 7 6 5 4 3 2 1