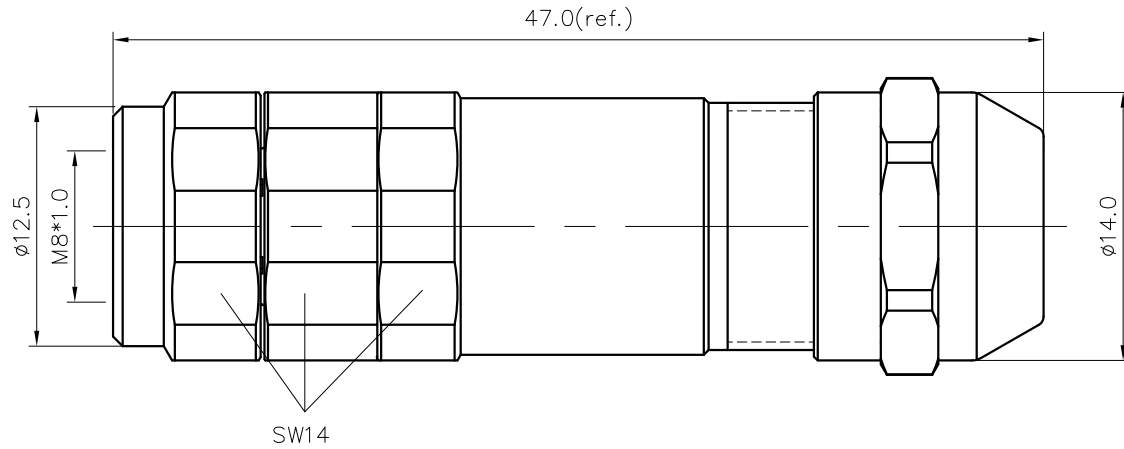
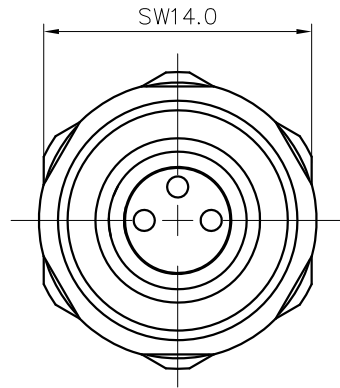


REVISION RECORD

| REV | ECN | DESCRIPTION | DRFT | DATE |
|-----|-----|-------------|------|------|
|-----|-----|-------------|------|------|



PBSH-M8A-XXP-FF-SL7001-00A(H)

Pin number: 03,04

NOTES:

- Rated voltage/current : 3pin: 60V / 3A  
4pin: 60V / 3A
- Withstanding voltage : 3,4pin: AC850V/1Min
- Levels of protection: IP67
- Wire range : 3pin: 24~22AWG/0.25~0.34mm<sup>2</sup>  
4pin: 24~22AWG/0.25~0.34mm<sup>2</sup>
- Cable range : 4~6mm
- Wire connection mode: screw
- Operating temperature: -40°C~+85°C
- RoHS Compliance
- Tolerance : ±0.5mm

| 3pin A Coding                    | 4pin A Coding                    |
|----------------------------------|----------------------------------|
| <p>Pin Assignment Front View</p> | <p>Pin Assignment Front View</p> |

|                               |                                  |   |   |            |
|-------------------------------|----------------------------------|---|---|------------|
| DETACHED LISTS                | PART NO.: PBSHM8AXXPFFSL700100AH |   | 宁波高松电子有限公司<br>NINGBO DEGSON ELECTRICAL CO., LTD |            |
|                               | APPD:                            | NAME: PBSH-M8A-XXP-FF-SL7001-00A(H)       |   |            |
|                               | CHKD:                            | TITLE: CUSTOMER DRAWING                   |   |            |
|                               | DRFT: SQ 2019.05.17              | REV: D0-1                                 | SHEET: 1/1                                      |            |
| <p>THIRD ANGLE PROJECTION</p> |                                  | DRAWING NO.: XXXXXXXX-XX-CXX<br>MM (INCH) | DO NOT SCALE DRAWING                            | SCALE: 1:1 |