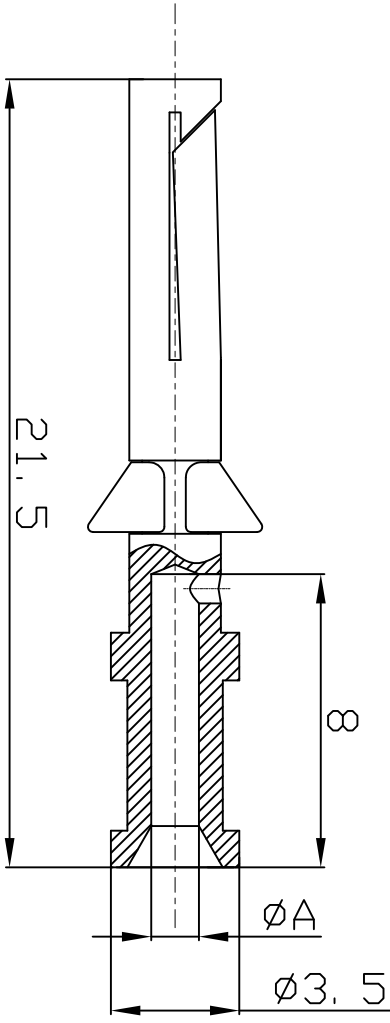


REVISION RECORD				
REV	ECN	DESCRIPTION	DRFT	DATE

H	Contacts, Gold-plated	(∅A)	Wire gauge		Recommended stripping length
			(mm ²)	(AWG)	
◆	10A-GF-0.37	0.9	0.14-0.37	26-22	8mm
	10A-GF-0.5	1.1	0.50	20	8mm
	10A-GF-0.75	1.3	0.75	18	8mm
	10A-GF-1.0	1.45	1.00	18	8mm
	10A-GF-1.5	1.75	1.50	16	8mm
	10A-GF-2.5	2.25	2.50	14	6mm



Crimp contacts

- 01. Material :Copper alloy
- 02. Surface :Hard-Gold plated
- 03. Contact resistance : ≤3mΩ
- 04. Terminal :Crimp connection
- 05. Wire gauge : 0.37-2.5mm² (AWG 22-14)
- 06. Rohs Compliance

DETACHED LISTS			
PART NO.:	/	NAME:	宁波高松电子有限公司 NINGBO DEGSON ELECTRICAL CO., LTD
APPD:		TITLE:	10A-Female Contacts(Gold-plated)
CHKD:		DRAWING NO.:	/
DRFT:	Mr. Yang 2016.08.08	DO NOT SCALE DRAWING	SCALE
THIRD ANGLE PROJECTION		1X1 (INCH)	5:1

A 8 7 6 5 4 3 2 1