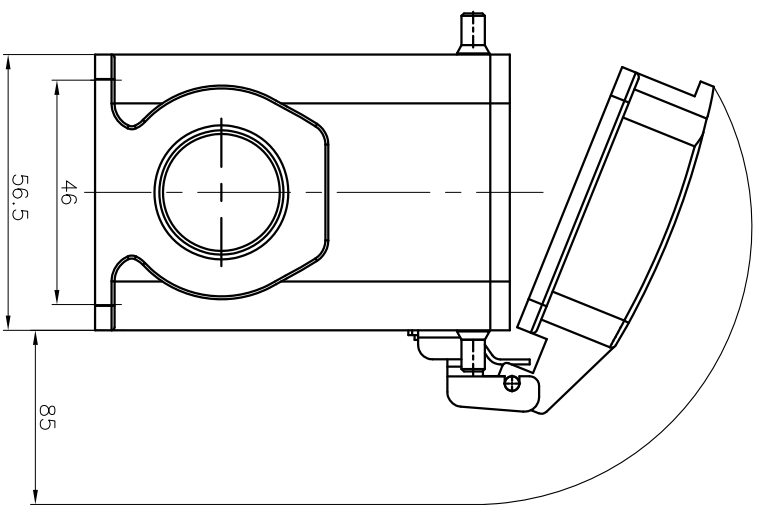
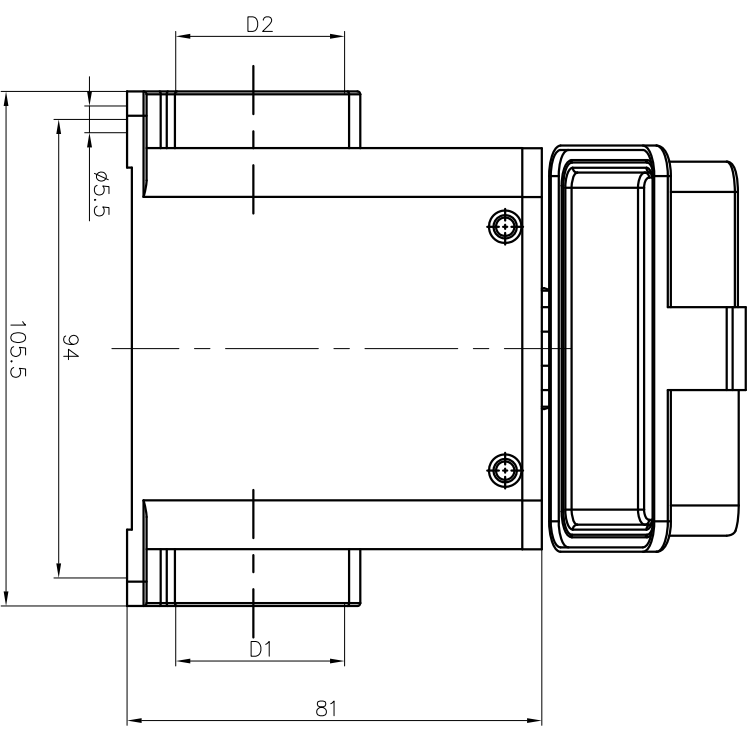
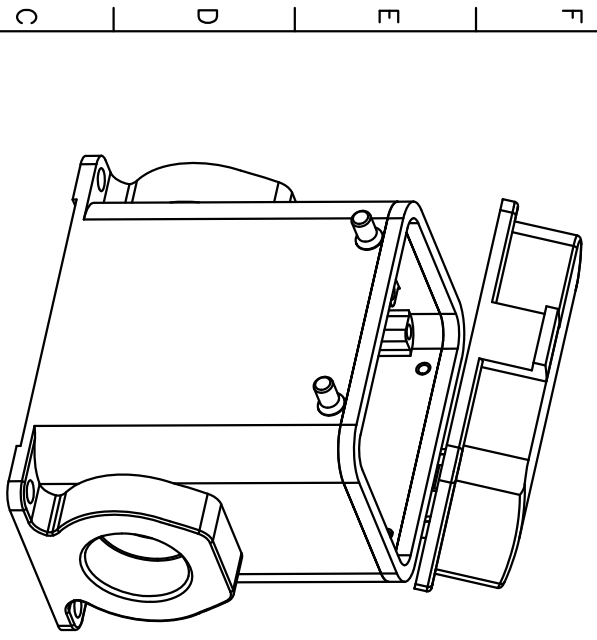


REVISION RECORD				
REV	ECN	DESCRIPTION	DRFT	DATE

TYPE	Thread		Selection
	D1	D2	
D32A-SF-4g-CV-M25	M25	—	
D32A-SF-4g-CV-M32	M32	—	
D32A-SF-4g-CV-2M32	M32	M32	
D32A-SF-4g-CV-PG21	PG21	—	
D32A-SF-4g-CV-2PG21	PG21	PG21	
D32A-SF-4g-CV-PG29	PG29	—	
D32A-SF-4g-CV-2PG29	PG29	PG29	



- Housings Feature
- 01. Material:Aluminium die-cast
 - 02. Surface:Powder-coated
 - 03. Color:grey (RAL 7037)
 - 04. Protection Covers:Plastic
 - 05. Limiting temperatures:-40℃~+125℃
 - 06. Sealing:NBR
 - 07. Flammability acc to UL94:V0
 - 08. Degree of protection acc. to EN60529 for coupled connector:IP65
 - 09. Rohs Compliance

DETACHED LISTS			
PART NO.:	DEGSON 宁波高松电子有限公司 NINGBO DEGSON ELECTRICAL CO., LTD		
APPR:	NAME: D32A-SF-4g-CV-M/PG		
CHKD:	TITLE: CUSTOMER DRAWING		
DRFT: Mr. yong	2016.08.15	DRAWING NO.:	REV
THIRD ANGLE PROJECTION		DO NOT SCALE DRAWING	DO-1
		SCALE	1/1
		SCALE	1:1.5

A 8 7 6 5 4 3 2 1

A B C D E F G H