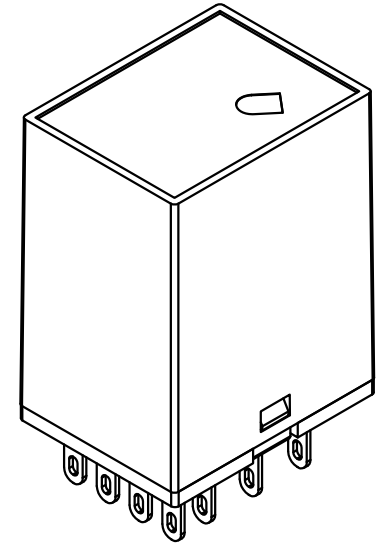
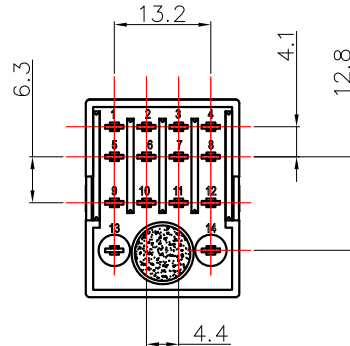
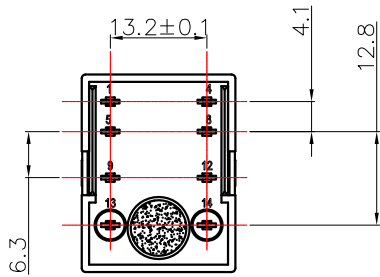
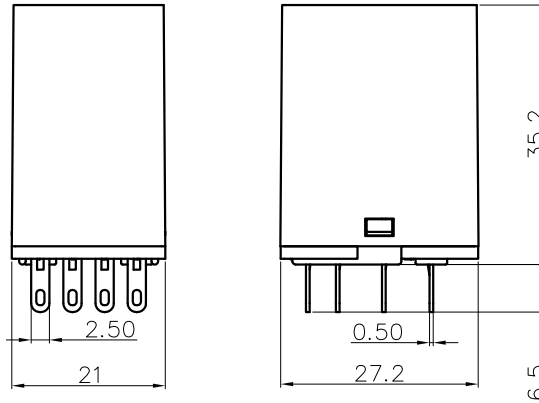
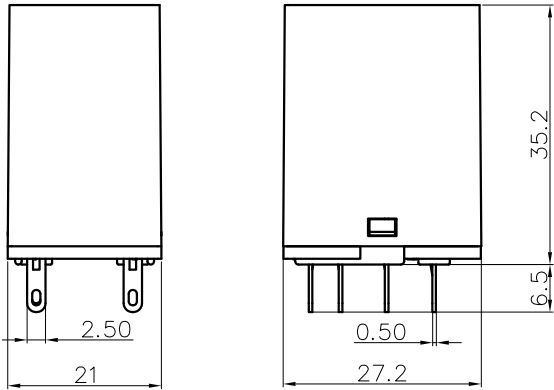


REVISION RECORD				
REV	ECN	DESCRIPTION	DRFT	DATE


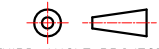
DRPY-2C

DRPY-4C



Specifications

Rated voltage	DC24V/AV220V
Rated current	2C: 5A; 4C: 3A
Operate voltage	AC(50Hz)<80%Ue; DC<75%Ue
Release voltage	AC(50Hz)>30%Ue; DC>10%Ue
Coil power	DC: 0.9W, AC: 1.2VA
Dielectric voltage	
Between contacts	1000VAC, 1Min (1mA)
Between contacts (different pole)	1000VAC, 1Min (1mA)
Between contacts and coil	1500VAC, 1Min (1mA)
Temperature range	- 25 °C ~ +55 °C

ITEM	NAME OF PART	MATERIAL	NOTES
DETACHED LISTS	PART NO.:	 宁波高松电子有限公司 NINGBO DEGSON ELECTRICAL CO., LTD	
	APPD:	NAME: DRPY-XX-XX-XX-02AH	
	CHKD:	TITLE: CUSTOMER DRAWING	
	DRFT:	DRAWING NO.: DRPY-E01  THIRD ANGLE PROJECTION	REV: SHEET: 1/2 DO NOT SCALE DRAWING SCALE: 1:1