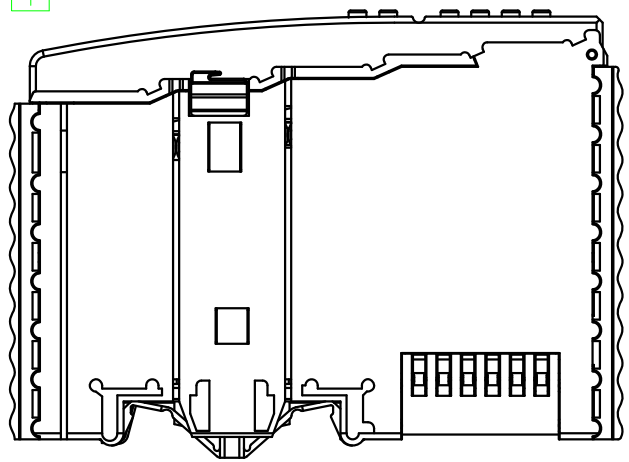
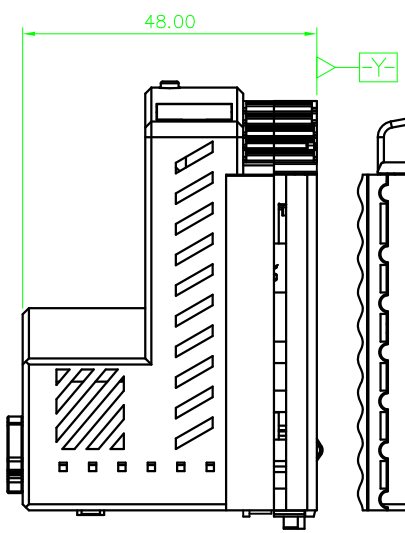
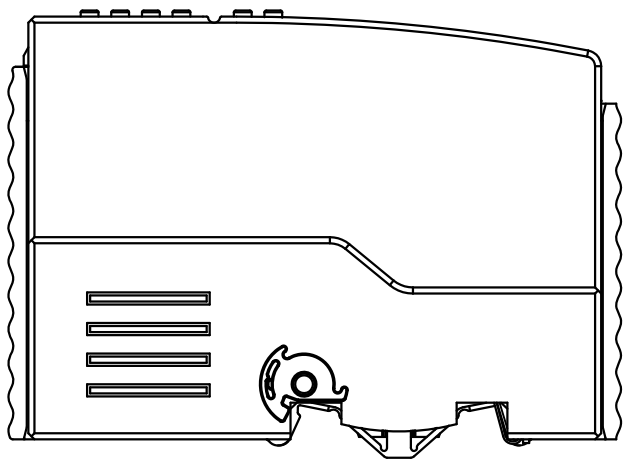
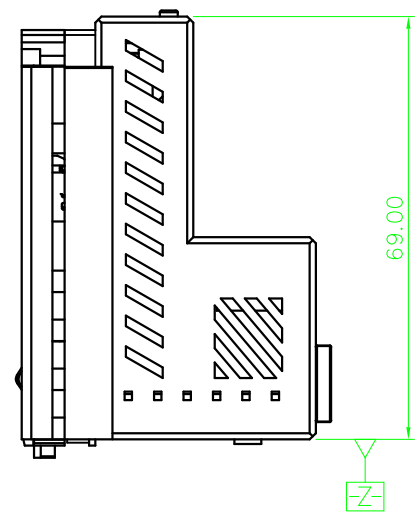
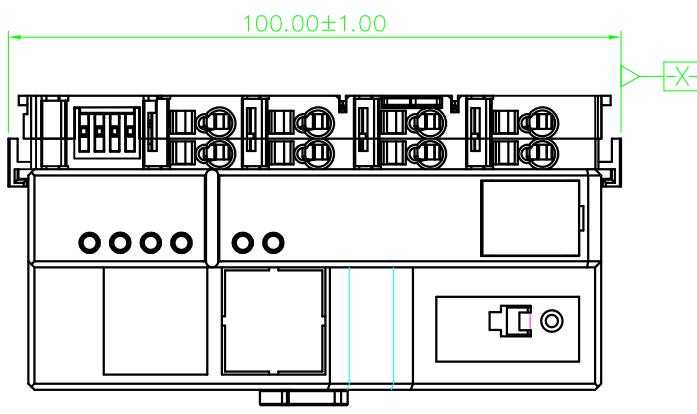


REVISION RECORD				
REV	ECN	DESCRIPTION	DRFT	DATE

H  
G  
F  
E  
D  
C  
B  
A


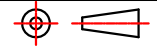
H  
G  
F  
E  
D  
C  
B  
A



Technical parameter	
Overvoltage category	II
Rated voltage	24V
Rated current	10A
Wire range	28~14AWG/2.5mm <sup>2</sup>
Stripping length	8~9mm

NOTES:  
1.RoHS Compliance  
2.Undimensioned tolerances:

Pitch range in mm		Nominal dimension range in mm					0.1/10
TO 6	Over 6 TO 10	Over 10 TO 24	TO 30	Over 30 TO 60	Over 60 TO 100	Over 100 TO 150	Over 150
±0.15	±0.20	±0.30	±0.30	±0.50	±0.70	±1.00	±1.30
							±2'

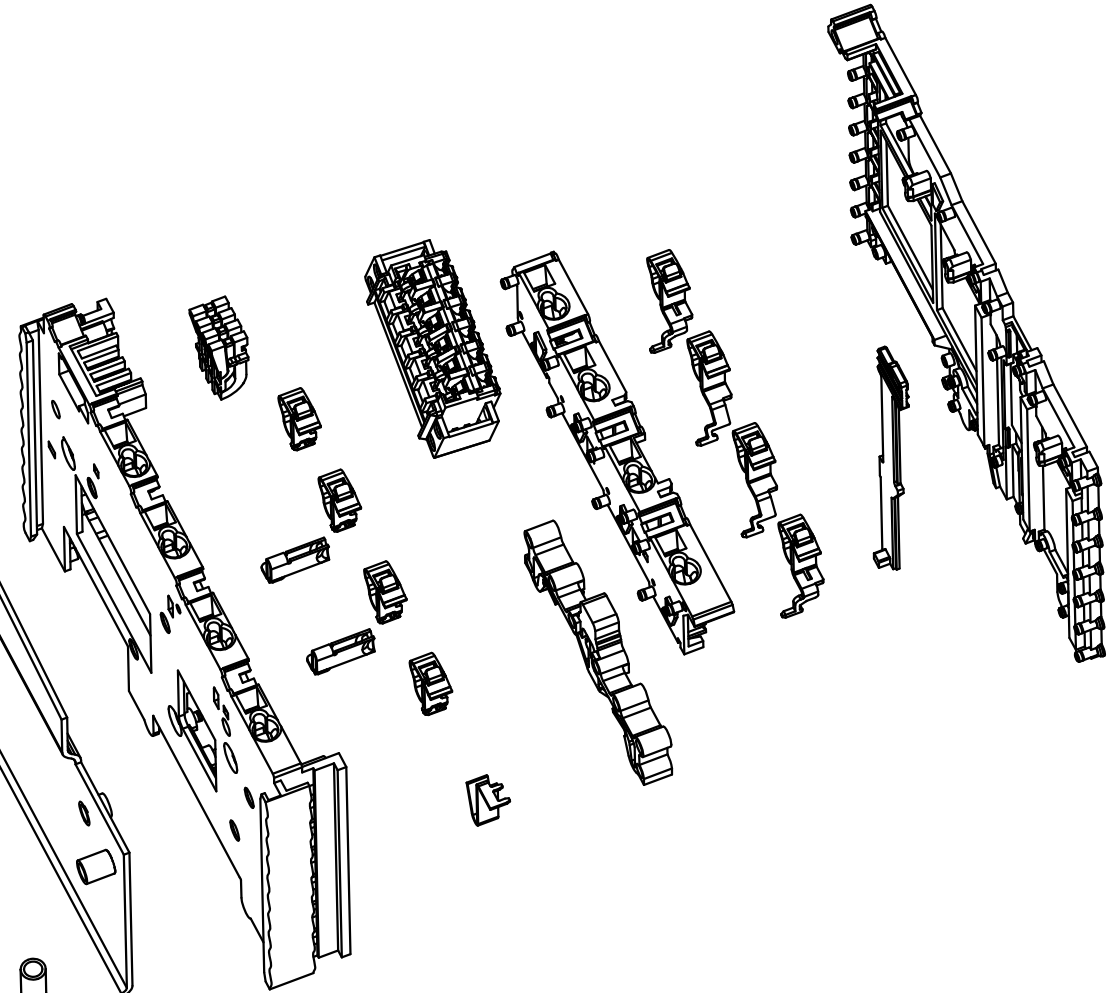
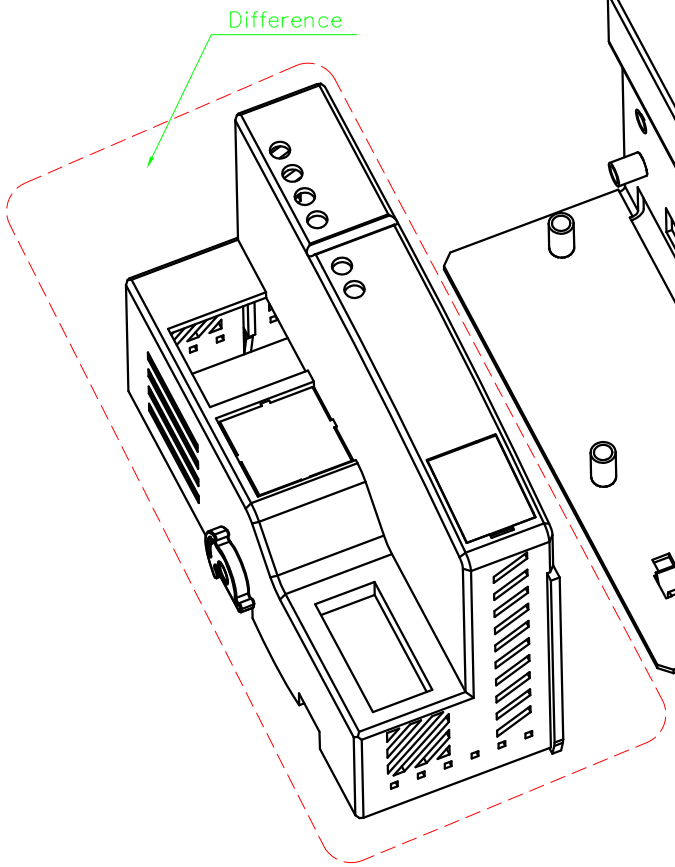
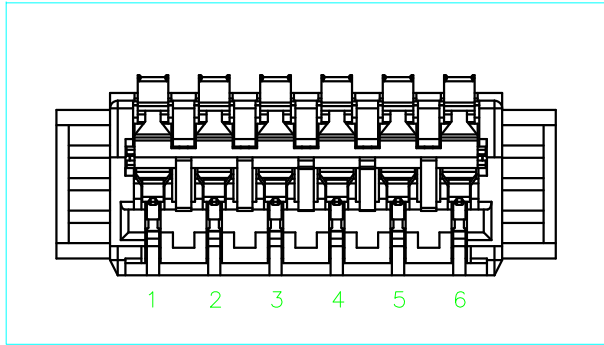
DETACHED LISTS	PART NO.:	 宁波高松电子有限公司 NINGBO DEGSON ELECTRICAL CO., LTD		
	APPD:	NAME: <b>DF750-XXX-11-20XXA(H)</b>		
	CHKD:	TITLE: <b>CUSTOMER DRAWING</b>		
	DRFT:	DRAWING NO.:		REV
 THIRD ANGLE PROJECTION		SHEET <b>1/3</b>		
MM (INCH)		DO NOT SCALE DRAWING		
SCALE <b>1:1</b>		SCALE <b>1:1</b>		


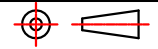
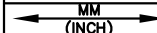
A

A

REVISION RECORD

REV	ECN	DESCRIPTION	DRFT	DATE



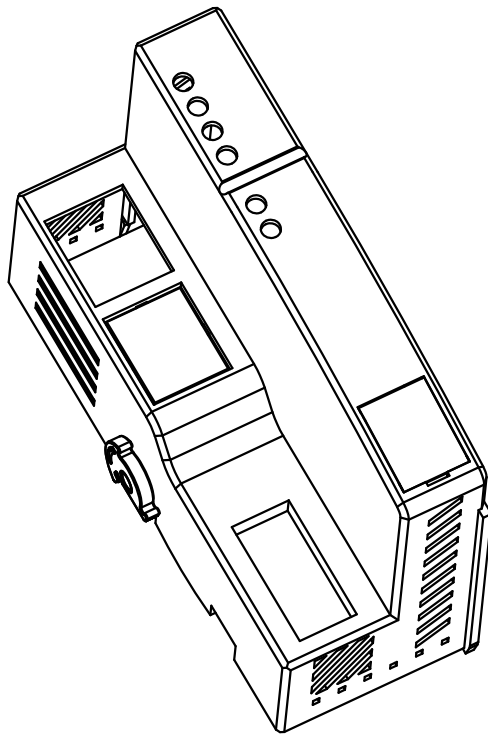
DETAILED LISTS	PART NO.:	 宁波高松电子有限公司 NINGBO DEGSON ELECTRICAL CO., LTD		
	APPD:	NAME: <b>DF750-XXX-11-20XXA(H)</b>		
	CHKD:	TITLE: <b>CUSTOMER DRAWING</b>		
	DRFT:	DRAWING NO.:	REV	SHEET
 THIRD ANGLE PROJECTION			DO NOT SCALE DRAWING	SCALE: <b>1:1</b>
			SHEET: <b>2/3</b>	

H  
G  
F  
E  
D  
C  
B  
A

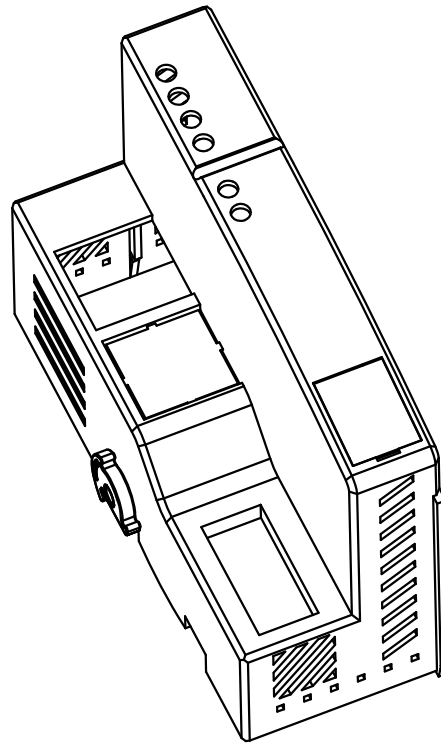
H  
G  
F  
E  
D  
C  
B  
A

REVISION RECORD

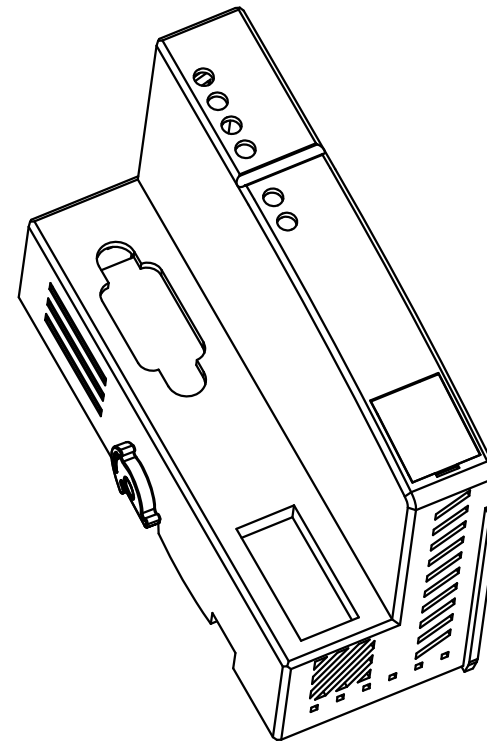
REV	ECN	DESCRIPTION	DRFT	DATE



RJ45-1  
DF750-001-11-20XXA(H)



RJ45-2  
DF750-002-11-20XXA(H)



D-Sub  
DF750-003-11-20XXA(H)

DF750-XXX-11-20XXA(H)

- 001:RJ45-1
- 002:RJ45-2
- 003:D-Sub

- 00:breakover1、2, disconnect3、4、5、6
- 01:disconnect1、2、3、4、5、6
- 02:breakover1、2、5、6, disconnect3、4
- 03:breakove1、2、3、4、5、6
- 05:breakover1、6, disconnect2、3、4、5
- 07:breakover1、2、4、5、6, disconnect3

DETACHED LISTS	PART NO.:	宁波高松电子有限公司 NINGBO DEGSON ELECTRICAL CO., LTD		
	APPD:	NAME: <b>DF750-XXX-11-20XXA(H)</b>		
	CHKD:	TITLE: <b>CUSTOMER DRAWING</b>		
	DRFT:	DRAWING NO.:	REV	SHEET
	THIRD ANGLE PROJECTION		DO NOT SCALE DRAWING	<b>3/3</b> SCALE <b>1:1</b>