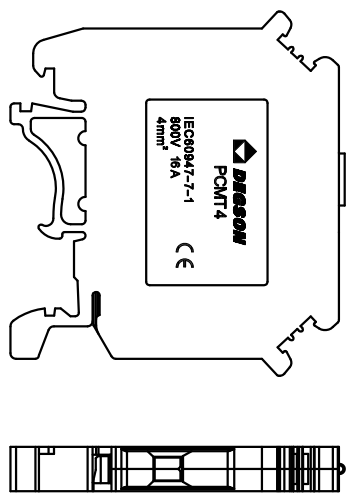
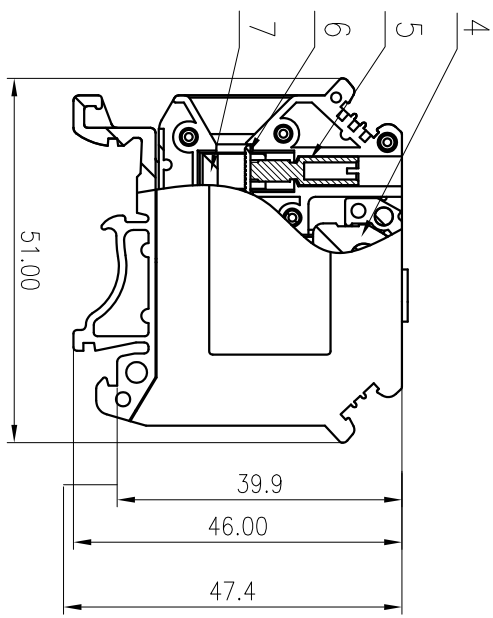
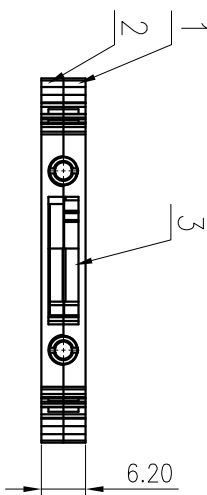


公差/General tolerances(mm)	
0	>3
~	>6
~	>10
~	>18
~	>30
~	>50
~	>80
~	>120
~	>180
~	>250
~	>315
~	>400
~	>500
~	>500
±0.12	±0.18
±0.22	±0.26
±0.31	±0.37
±0.57	±0.80
±0.93	±1.05
±1.15	±1.60
±2.20	±2.50
±2.50	±2.50
0.1/10	0.1/10
±Z	±Z



ITEM	NAME OF PART	MATERIAL	NOTES
1	Housing1	PA66	UL94V-0
2	Housing2	PA66	UL94V-0
3	Knife box	PA66	UL94V-0
4	Knife switch	Sn Plated	
5	Screw	Copper alloy	M3/Ni Plated
6	Clamp	Copper alloy	Ni Plated
7	Cage	Copper alloy	M3/Ni Plated

UL 标准/UL Standard:	B	C	D
额定电压/电压/Rated Voltage(V)/Current(A)	600/15	/	/
IEC 标准/IEC Standard:	/	/	/
过压类别/Overvoltage Category/污染等级/Pollution Degree	III/3	/	/
额定电压/电流/Rated Voltage(V)/Current(A)	800/16	/	/
额定脉冲电压(KV)/Rate Impulse Voltage(KV)	/	/	/
额定扭矩/Torque Tightening(N·m/Lb·in)	M3, 0.5/4.43	/	/
导线范围(硬导线/软线)/Wire Range(rigid and flexible)(mm²/AWG)	0.2-4/24~12	/	/
间距/Pitch(mm)	6.20	/	/
剥线长度/Stripping length(mm)	7-8	/	/
使用温度范围/Operating temperature(°C)	-40~+105	/	/
符合RoHS环保要求/Conform to RoHS	Yes	/	/
标准颜色编号/Standard color number:	/	/	/
PANTONE / RAL	/	/	/

MATERIAL: SURFACE:

MAT NO.: /
 STATUS: /
 APPD: /
 CHKD: /

NAME: **DEGSON® NINGBO DEGSON ELECTRICAL CO., LTD**
PCMT4-01P-1Y-00A(H)

DRAWING NO.: PCMT4-C01
 TYPE: CUSTOMER DRAWING
 SCALE: 1:1
 SHEET: 1/1

REV	ECN	DESCRIPTION	DRFT	DATE
1				