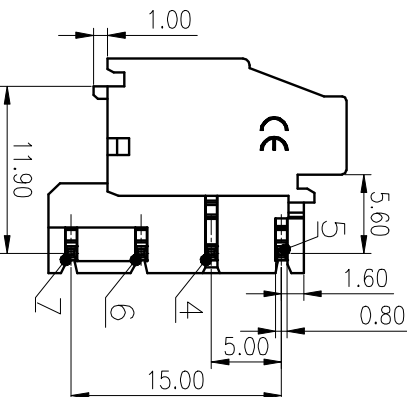
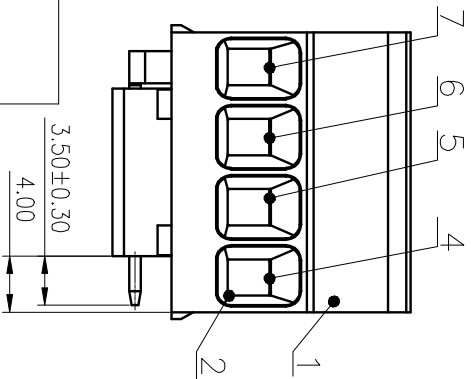
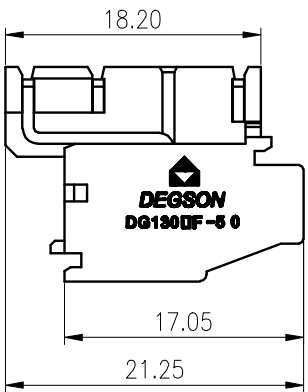
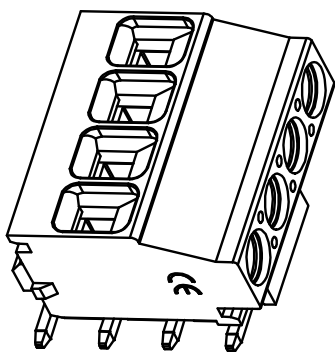
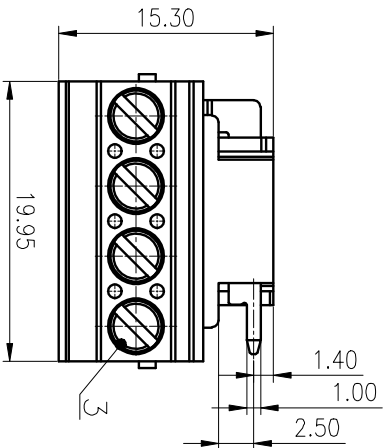


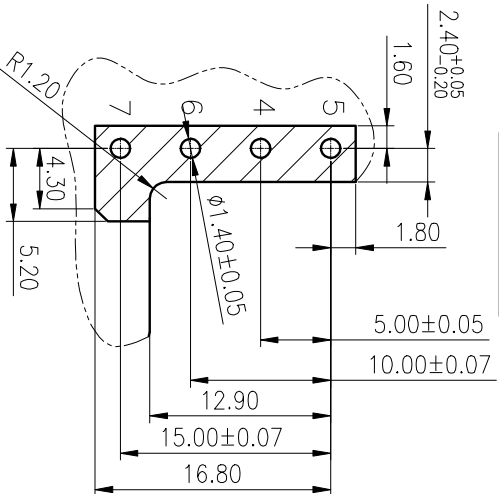
精度等级/General Tolerances(mm)		尺寸范围										公差				
等级	公差	0	>3	>6	>10	>18	>30	>50	>80	>120	>180	>250	>315	>400	>500	0.1/10
3	±0.12	±0.18	±0.22	±0.26	±0.31	±0.37	±0.57	±0.80	±0.93	±1.05	±1.15	±1.60	±2.20	±2.50	±Z	±Z

未标尺寸请参考3D文件



ITEM	NAME OF PART	MATERIAL	NOTES
7	Pin header-4	Copper	Sn Plated
6	Pin header-3	Copper alloy	Sn Plated
5	Pin header-2	Copper alloy	Sn Plated
4	Pin header-1	Copper	Sn Plated
3	Screw	Steel	M3/Zn Plated
2	Cage	Copper alloy	M3/Ni Plated
1	Housing	PA66	UL94V-0

PCB LAYOUT



UL 标准/UL Standard:	B	C	D
额定电压/电流/Rated Voltage(V)/Current(A)	300/20	/	300/10
IEC 标准/IEC Standard:			
过压类别/Overvoltage Category/污染等级/Pollution Degree	III/3	III/2	II/2
额定电压/电流/Rated Voltage(V)/Current(A)	250/24	400/24	630/24
额定脉冲电压(KV)/Rate Impulse Voltage(KV)	4.0	4.0	4.0
螺丝扭矩/Torque Tightening(N·m/Lb.in)	M3, 0.6/5.32		
线径范围(硬线和软线)/Wire Range(rigid and flexible)(mm <sup>2</sup> /AWG)	0.2~2.5/30~12		
剥线长度/Stripping length(mm)	8		
使用温度范围/Operating temperature(°C)	-40~+105		
符合RoHS环保要求/Conform to RoHS	Yes		

DEGSON® NINGBO DEGSON ELECTRICAL CO., LTD

NAME: DG130RF-5.0-04P-1Y-00A(H)

MATERIAL: /  
 MAT NO.: /  
 STATUS: /  
 Appd: LanChH 2020.08.05  
 CHKD: YJZ 2020.08.05  
 DRT: ChenZh 2019.01.05

DRAWING NO.: 10001992  
 TYPE: CUSTOMER DRAWING  
 SCALE: 2:1  
 SHEET: 1/1

REV ENN DESCRIPTION DRT DATE

SIZE: A4 (mm) (inch) TYPE: CUSTOMER DRAWING SCALE: 2:1 SHEET: 1/1