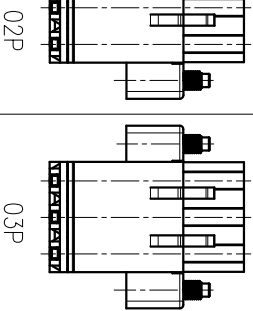
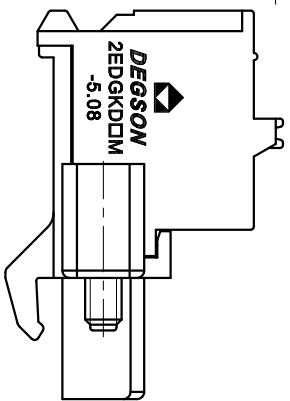
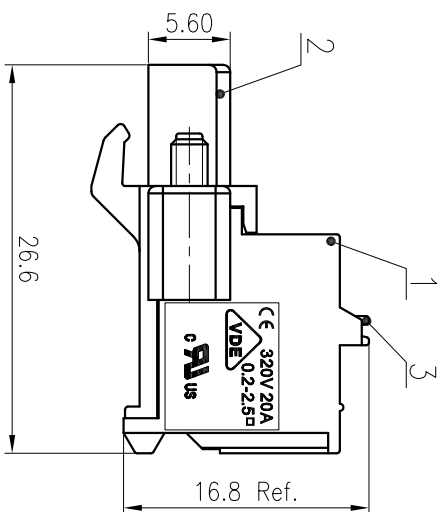
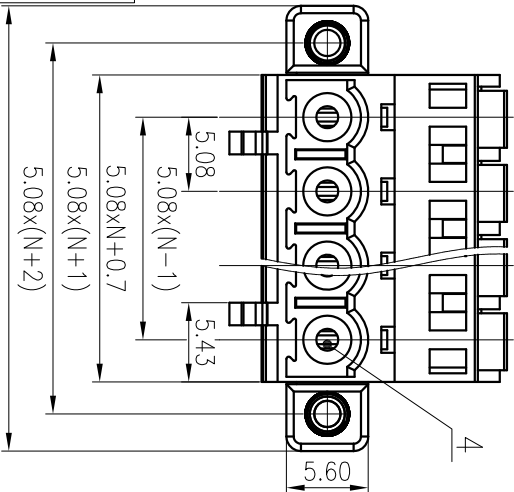
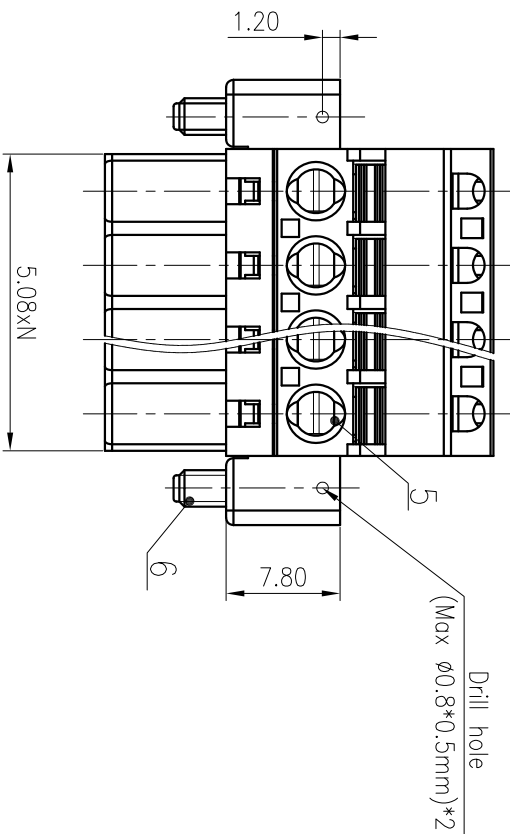


*註公差/General tolerance(mm)													
0	>3	>6	>10	>18	>30	>50	>80	>120	>180	>250	>315	>400	0.1/1/10
~	~	~	~	~	~	~	~	~	~	~	~	~	±2'
3	6	10	18	30	50	80	120	180	250	315	400	500	
±0.12	±0.18	±0.22	±0.26	±0.31	±0.37	±0.57	±0.80	±0.93	±1.05	±1.15	±1.60	±2.20	±2.50



MATERIAL: / / SURFACE: /

MAT NO.: /

STATUS: /

APPD: LIGI 2020.06.16

CHKD: MdeK 2020.06.16

DRFT: CK 2019.02.28

NAME: 宁波高松电子有限公司
NINGBO DEGSON ELECTRICAL CO., LTD

2EDGKDBM-5.08-XXP-1Y-00A(H)

DRAWING NO.: 2EDGKDBM-5.08-C01

TYPE: CUSTOMER DRAWING

ITEM	NAME OF PART	MATERIAL	NOTES
6	Screw	Steel	Zn Plated
5	Spring	Stainless steel	
4	Clamp	Copper Alloy	Sn Plated
3	Button	PA66	UL94V-0
2	Cover	PA66	UL94V-0
1	Housing	PA66	UL94V-0

UL 标准/UL Standard: B C D

额定电压/电涌/Rated Voltage(V)/Current(A) 300/10 / 300/10

IEC 标准/IEC Standard: III/2

过压类别/Overvoltage Category/污染等级 III/2

额定电压/电涌/Rated Voltage(V)/Current(A) 320/20

额定脉冲电压(KV)/Rate Impulse Voltage(KV) 4.0

螺丝扭矩/Torque Tightening(N·m/Lb·in) M2.5 0.4/3.54

导线范围(硬导线/软线)/Wire Range(rigid and flexible)(mm²/AWG) 0.2~2.5/26~12

间距/Pitch(mm)/导线范围/Poles 5.0/N=02~24P

剥线长度/Stripping length(mm) 9~10

使用温度范围/Operating temperature(°C) -40~+105

符合RoHS环保要求/Conform to RoHS Yes

REV	ECN	DESCRIPTION	DRFT	DATE

SIZE: A4	SCALE: 2:1	SHEET 1/1