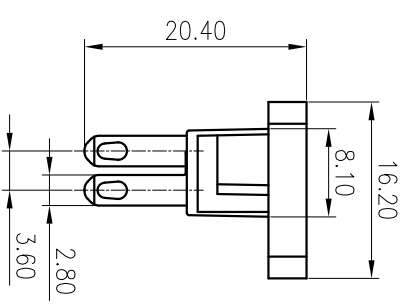
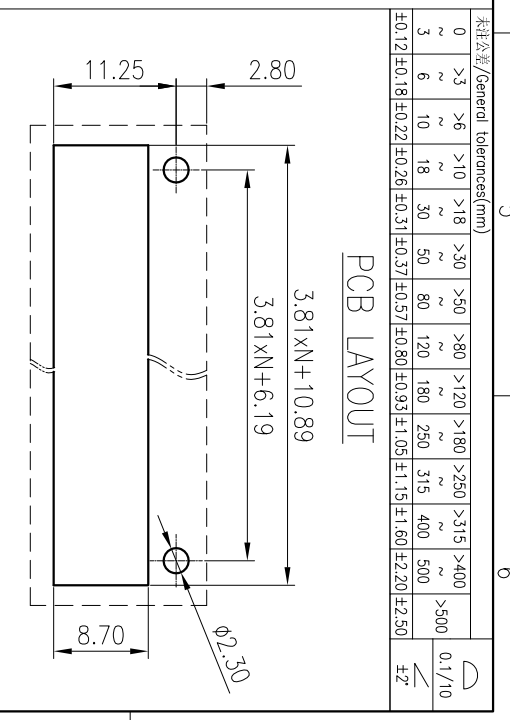
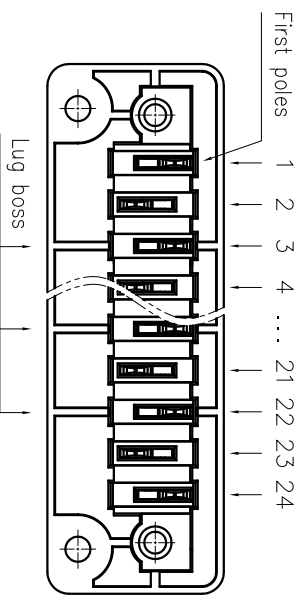
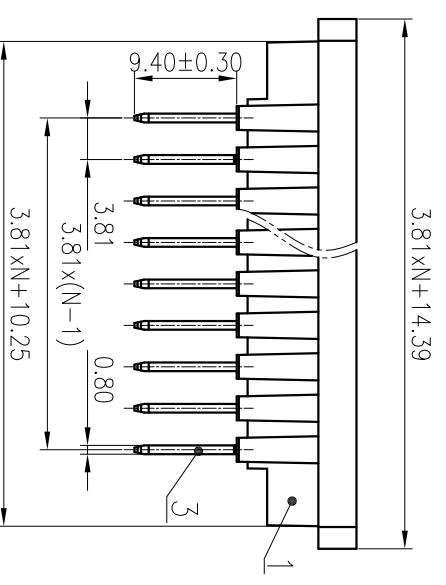
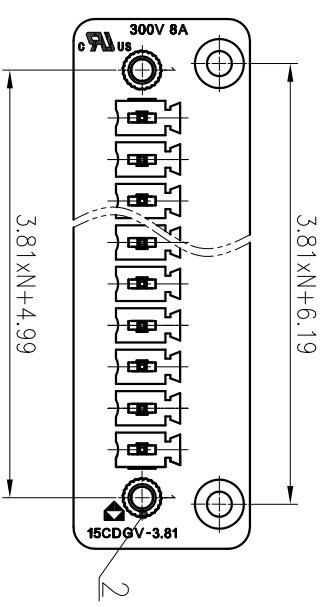


Note of the lug boss

P	Lug boss (From the left)
2	/
3	/
4	3
5	3
6	3.5
7	3.5
8	3.5, 7
9	3.5, 7
10	3.5, 7, 9
11	3.5, 7, 9
12	3.5, 7, 9, 11
13	3.5, 7, 9, 11
14	3.5, 7, 9, 11, 13
15	3.5, 7, 9, 11, 13
16	3.5, 7, 9, 11, 13, 15
17	3.5, 7, 9, 11, 13, 15
18	3.5, 7, 9, 11, 13, 15, 17
19	3.5, 7, 9, 11, 13, 15, 17
20	3.5, 7, 9, 11, 13, 15, 17, 19
21	3.5, 7, 9, 11, 13, 15, 17, 19
22	3.5, 7, 9, 11, 13, 15, 17, 19, 21
23	3.5, 7, 9, 11, 13, 15, 17, 19, 21
24	3.5, 7, 9, 11, 13, 15, 17, 19, 21, 23



3	Pin	Copper alloy	Sn Plated
2	Nut	Copper alloy	
1	Housing	PA66	UL94V-0
ITEM	NAME OF PART	MATERIAL	NOTES

UL 标准/UL Standard:	B	C	D
额定电压/Rated Voltage(V)/Current(A)	300/8	/	300/8
IEC 标准/IEC Standard:			
过压类别/Overvoltage Category/污染等级	II/2		
额定电压/电流/Rated Voltage(V)/Current(A)	250/7		
额定脉冲电压(kV)/Rate Impulse Voltage (kV)	2.5		
间距/Pitch(mm)/线数范围/Poles	3.81/N=02~24P		
使用温度范围/Operating temperature(°C)	-40~+105		
符合RoHS环保要求/Conform to RoHS	Yes		

SURFACE:

**DEGSON** 宁波高松电子有限公司  
NINGBO DEGSON ELECTRICAL CO., LTD

NAME: 15CDGV-3.81-XXP-1Y-00A(H)

MAT NO.: /  
STATUS: /  
APPD: Ian CHH 2020.06.10  
CHKD: Yu JZh 2020.06.10  
DRFT: ZX 2017.03.28

DRAWING NO.: 15CDGV-3.81-C01  
TYPE: CUSTOMER DRAWING  
SCALE: 1.5:1  
REV T1  
SHEET 1/1

REV	ECN	DESCRIPTION	DRFT	DATE
-----	-----	-------------	------	------